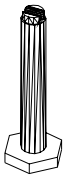
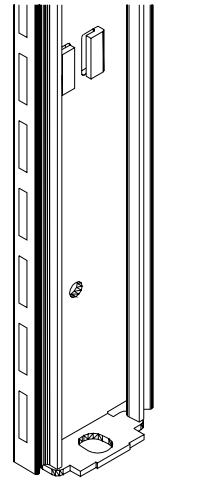
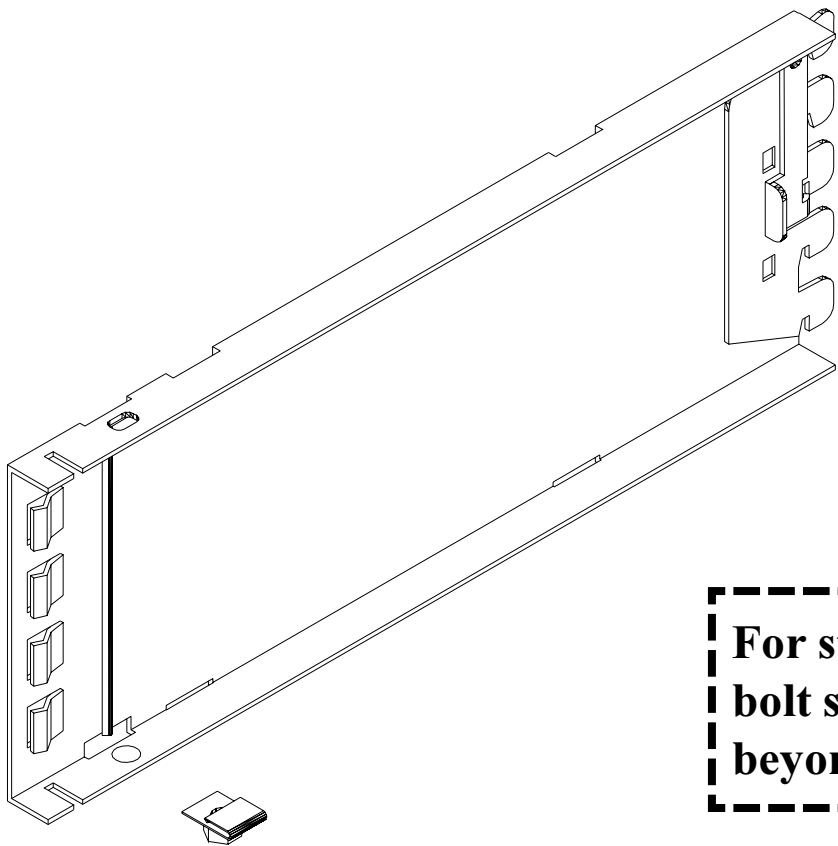
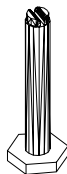


ANCHORING AND LEVELING

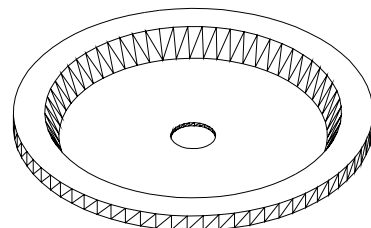
Optional leveler kits can be ordered separately for field installation



For stability of fixture, leveler bolt should NOT be extended beyond 1-1/2".



An optional leveler cup may be ordered for every leveler.

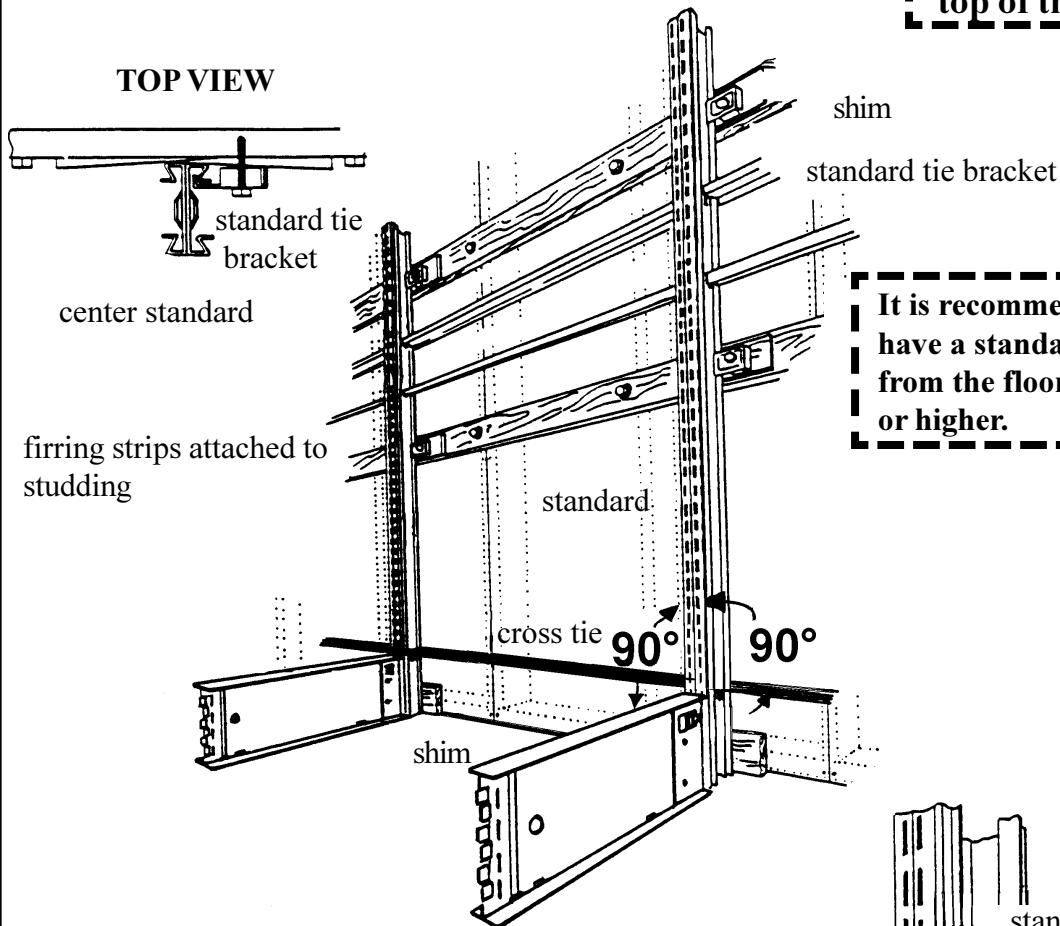


ANCHORING AND LEVELING

Start leveling from the high point on the floor and go out each way. Run must be level both vertically and horizontally.

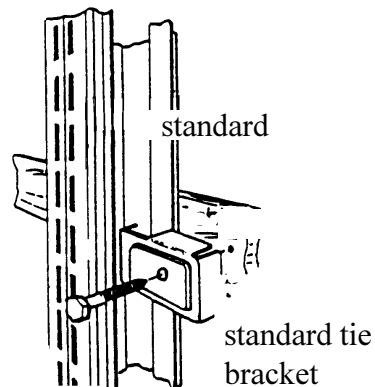
Make sure wallcase is level and plum before anchoring to the wall.

Attach all units to the wall with standard tie bracket 10"-12" from the top of the standard



It is recommended to have a standard tie bracket 30"-36" from the floor when the standard is 108" or higher.

Irregular walls and floors may make it necessary to shim beneath bottom arms and behind standards. After shimming, make sure bottom arms are square with standard and crosstie.



Nails are not acceptable as fasteners for anchoring standards.

Build remainder of wallcase in the same manner as gondola is assembled. (see pages 5-12)