

# INSTALLATION INSTRUCTIONS

## 4 POST WIRE SYSTEM PRODUCT SAFETY INFORMATION **WARNING** FOR YOUR SAFETY

- Install all shelving according to installation instructions and use components only as instructed. Shelving and components should only be installed or rearranged by trained personnel who have read and understand the instructions and warnings. Additional copies of the installation instructions are available upon request.
- Local codes and regulations concerning building, fire, sanitation, or seismic requirements may apply to some installations. It is the responsibility of the owner of the fixtures to check with local building authorities to determine what codes or regulations, if any, apply, and always install the shelving in compliance with any such requirements.
- When installing or rearranging shelving, **never** move merchandised shelving.
- Do **not** combine Lozier products with non-Lozier products.
- **Never** use damaged parts. Damaged parts may cause shelving to be structurally unsafe or create exposure to sharp or pointed edges. If parts were damaged in shipping, do not use and contact your Lozier Customer Service Representative. If parts are damaged after shipment, discontinue use immediately and order replacement parts.
- Do **not** exceed Allowable Load Limits. Exceeding allowable loads may cause the shelving to tip over or collapse.
- Provide safe access to all levels of storage & display shelving in accordance with applicable OSHA regulations. **Never** allow anyone to climb, walk, or stand on shelving. These shelves were not designed to withstand the extra weight and impact of climbing, walking, and standing, and the added weight and impact of such actions may cause the fixtures to collapse.
- **Never** alter, modify or otherwise structurally change the shelving or any of its component parts. Modifications or alteration may cause the shelving or component part to become structurally unsafe resulting in tipping, collapse or other failure of the fixture.
- Inspect the shelving system periodically for damage. Parts that are bent, buckled, dented, cracked, or otherwise damaged should be replaced. Tighten or replace loose or missing fasteners.
- Do NOT lean tall or heavy items against shelving. The weight and force of leaning items may cause the shelving to overturn or collapse.
- Shelving (or racks) that are leaning or bending when loaded may indicate a dangerous overload or impending collapse. Loads should be immediately reduced, and the cause for this condition should be corrected, before reloading. Refer to appropriate installation instructions to assure shelving (or racks) are properly assembled, replace any damaged components or parts, and do not exceed recommended maximum loads or engage in any other unsafe use of the shelving (racks).

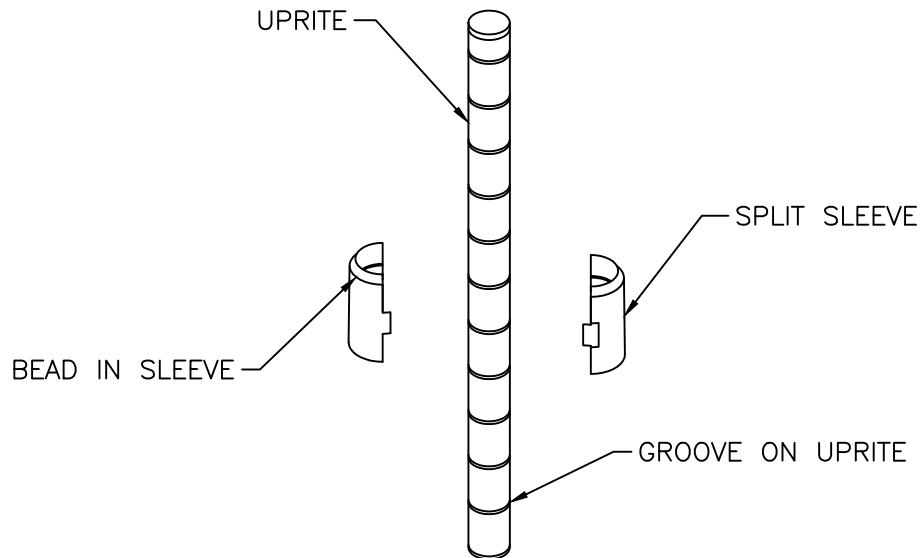


# INSTALLATION INSTRUCTIONS

## 4 POST WIRE SYSTEM

**STEP 1:** Select the desired height for the bottom shelf, snap a pair of split sleeves into the groove on each uprite, making sure the bead of the split sleeve fits securely into the groove of the uprite. NOTE: Sleeves do not snap together completely when properly installed.

NOTE: To ensure proper installation, a shelf must be at bottom and top of unit.

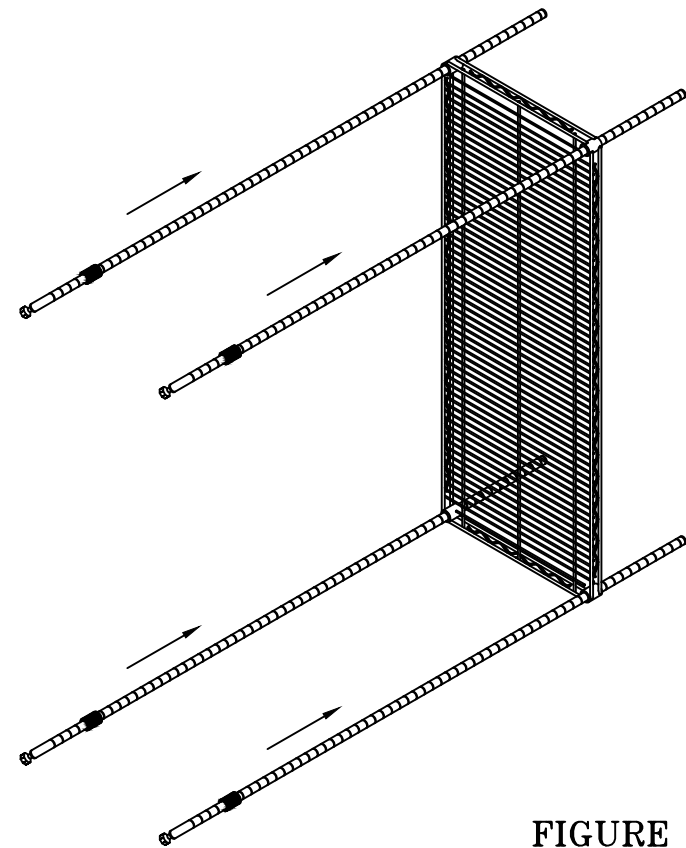


**FIGURE 1**

NOTE: Double rings every five spaces assist with shelf leveling and spacing.

NOTE: Make sure the smaller diameter end of the split sleeve is toward the top of the uprite.

**STEP 2:** While holding the shelf on edge, insert one of the posts from the underside of the frame into a corner collar of the shelf until the split sleeve fits into the collar. Repeat this procedure for the other three posts.

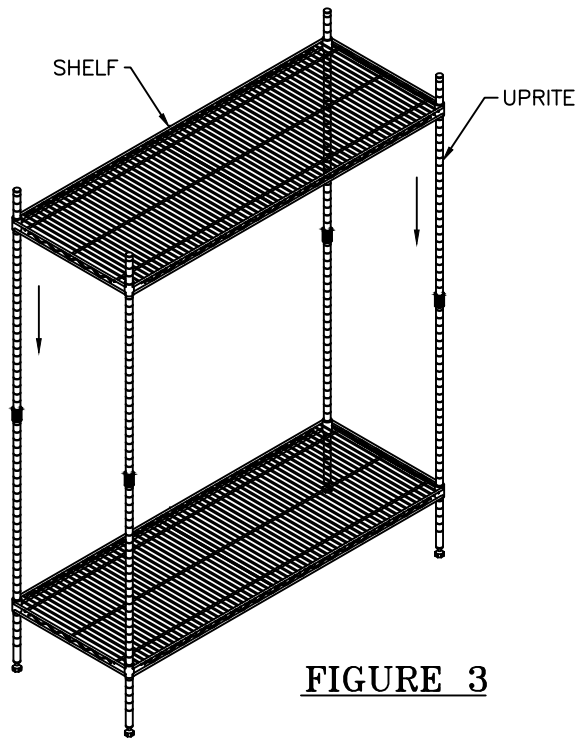


**FIGURE 2**

# INSTALLATION INSTRUCTIONS

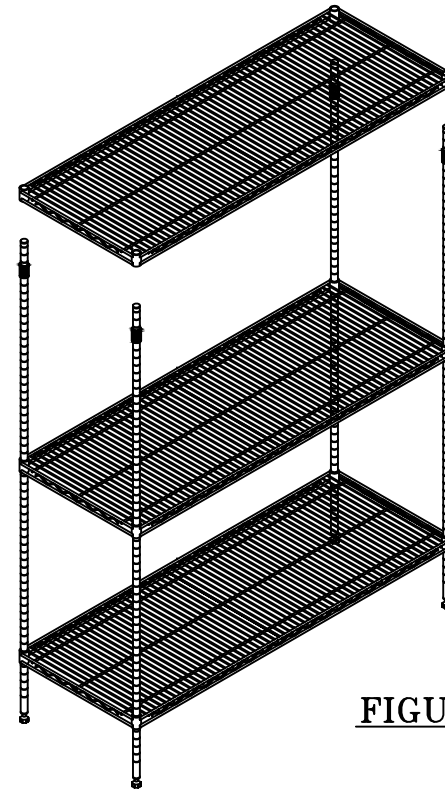
## 4 POST WIRE SYSTEM

**STEP 3:** Stand the unit upright, then tap shelves down in corners, making sure the shelves are properly seated on all (4) corners.



**FIGURE 3**

**STEP 4:** Repeat steps 1 & 3 to add additional shelves where desired.



**FIGURE 4**

**STEP 5:** Before merchandising, move unit into desired location and adjust leveling legs as needed to level unit.

### IMPORTANT LOADING INFORMATION

| SHELVES   | MAXIMUM EVENLY DISTRIBUTED LOAD CAPACITY |
|-----------|--|
| All sizes | 550lbs per shelf                         |
| SYSTEM    | MAXIMUM LOAD CAPACITY                    |
| All sizes | 1500lbs                                  |

