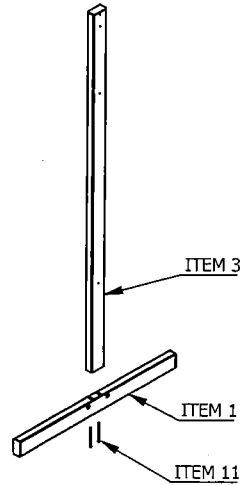


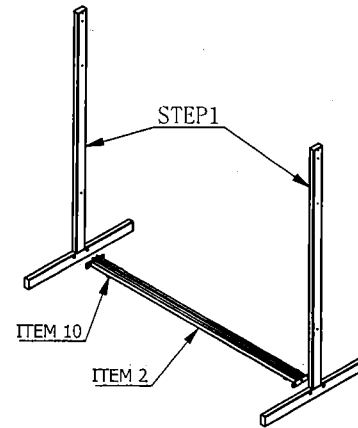
# INSTALLATION INSTRUCTIONS FOR MW-HGRID48S-BLK AND THE "ADD ON" MIDDLE SECTION

BILL OF MATERIALS PER UNIT MW-HGRID48S-BLK		
ITEM	DESCRIPTION	QTY
1	Bottom support bar	2
2	Bottom connecting bar	1
3	Side bar	2
4	Bottom support plate	4
5	Middle gridwall panel	1
6	Side gridwall panel	2
7	Fixed plate	8
8	3" CASTER NO BRAKE	2
9	3" CASTER WITH BRAKE	2
10	1/4-20x1/2" PH PHIL. SCREW	4
11	5/16-18x2 1/2" Hex Socket Button	4
12	#10-32x3/4" PH PHIL. SCREW	8
13	#10 Spring washer	8
14	Wrenches	1

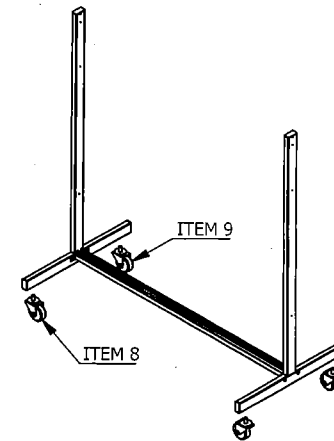
STEP1



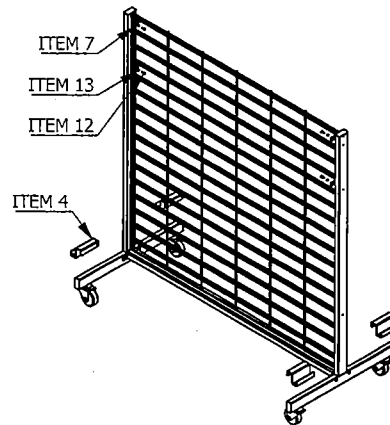
STEP2



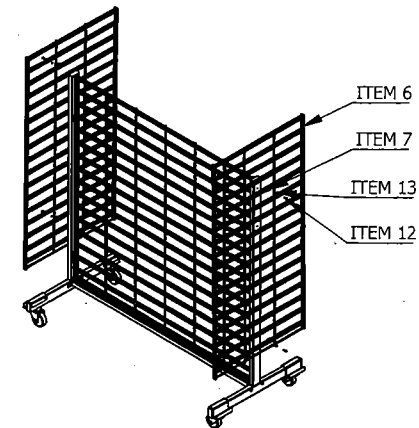
STEP3



STEP4



STEP5



**TOOLS REQUIRED**  
PHILLIPS SCREW DRIVER