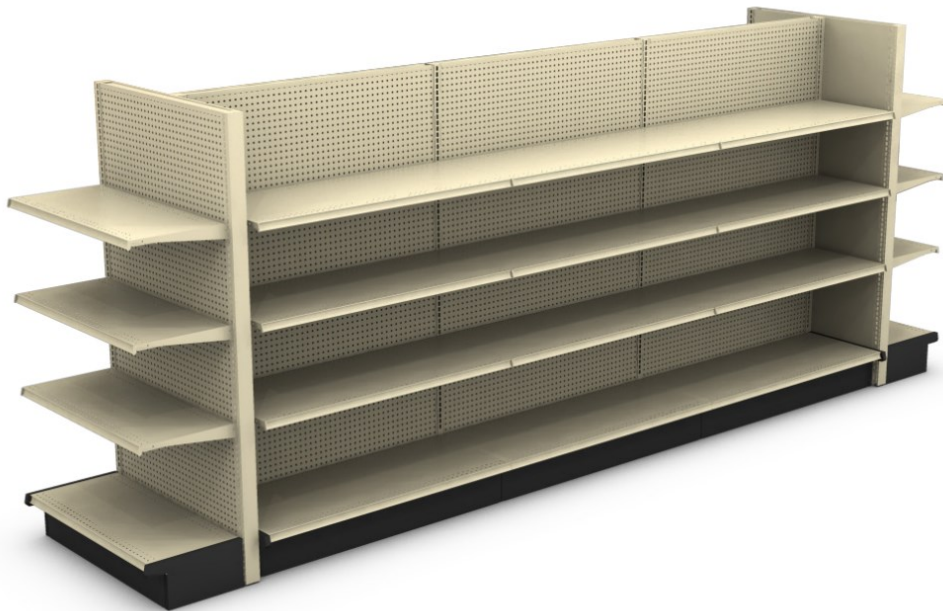




**MIDWEST**  
RETAIL SERVICES, Inc

Talk To An Expert:  
**(800) 576-7577**

## The Answer To Your Store Fixture Needs



See More or Buy Online @  
**Midwestretailservices.com**

Finding the proper mix of retail fixtures for your store can be difficult. Bring your questions, retail fixture needs, or display problems to us and one of our industry specialists will pair you with the display fixtures that will best support your program.

Whether you are opening a new retail business or updating fixtures across numerous outlets, we are dedicated to providing solutions to your merchandising challenges. Our industry expertise will provide attractive retail fixtures, gondola shelving, and merchandising accessories that guarantee your retail success.

**At Midwest Retail Services, our goal is to match high quality retail fixtures to your merchandising vision through a unique blend of products and solutions.**

Find out more about how Midwest Retail Services can help your program grow and succeed by calling **800-576-7577** or contacting us at [info@mw-rs.com](mailto:info@mw-rs.com) or shop online at [midwestretailservices.com](http://midwestretailservices.com).



Search by Product, Category or Brand

search



enter main site

**Benefits** - Convenience, Selection, Value    **Results** - Accuracy, Delivery, Completion  
**People** - Experienced, Responsive, Thorough



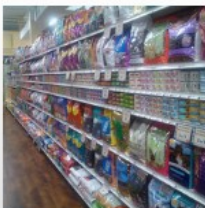
### C-STORES

Are you opening a convenience store? Do you need shelving, peg hooks, and floor stack displays? Do you need them fast?



### CUSTOM FIXTURES

Let us help design, prototype, and manufacture your specialty and customized displays. From concept to reality, we can bring your retail vision to life.



### PET & FEED STORES

With a wide array of products constantly entering your store, merchandising a pet supply store can be challenging. Finding reliable, versatile display fixtures that highlight your products is



### LIQUOR

Finding display fixtures that cater to the unique needs of liquor stores can be difficult. With highly fragile, heavy products, reliable fixtures are essential to your store's success.



# LOZIER<sup>®</sup> DISPLAY SHELVING



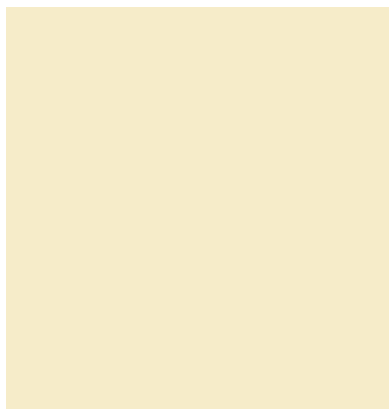
Lozier display fixtures provide unparalleled quality and flexibility to any retail space. The Lozier platform can adapt from the most basic fixtures to a more upscale appearance based on your retail vision. Lozier gondola shelving offers unlimited display possibilities to tackle any retail environment with a wide assortment of merchandising accessories. Lozier products are the most chosen store fixtures by grocery, pet supply, convenience, hardware, and liquor stores.

## Key Features

- Beige and Black finishes are standard, other select colors are special order
- Pegboard and Solid backs panels standard, Slatwall is special order
- Tilt-in TL style shelves are standard, Drop-in style and Heavy-Duty shelves are special order
- Wide range of accessories to merchandise any products

# LOZIER<sup>®</sup> COLORS

## STANDARD COLORS



Platinum Beige - PLT

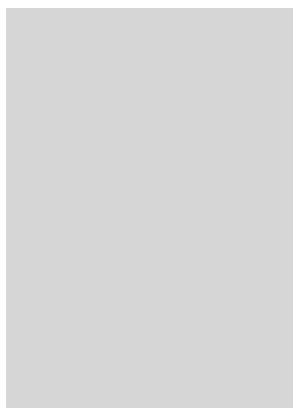


Charcoal Black - CHR

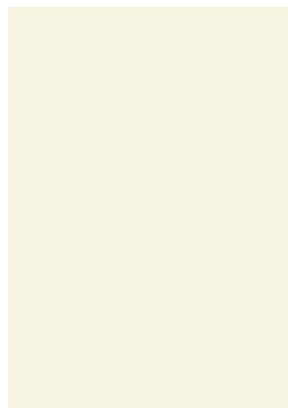
## SPECIAL ORDER COLORS



Gray - GRY



Silver - SIL



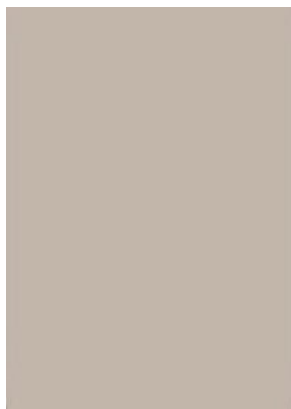
White - WHT



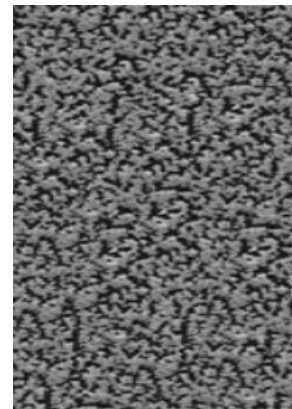
Cool White - W08



Foundry - A37



Oyster - A65



Silver Vein - Q88

Please Note: Availability of special order colors subject to change.



# LOZIER® SHELF LOADING

**“S” & “TL” STYLE** - Install flat or 17° downslant. To install, tilt front edge slightly upward and insert tabs into Uprite slots. Lift up on rear of Shelf while lowering front to desired position.

**“DL” STYLE** - Install flat, 17° downslant, 30° downslant or 15° upslope (7" thru 19"). To install, insert tabs on Shelf straight into slots in Uprite.

**HELPFUL HINTS:**

Lift and position “S” & “TL” Style Shelves by gripping front edge of Shelf with one hand and lifting rear edge from underneath with the palm of the other hand when lowering into level position from tilted entry into Uprite slots.

When removing “DL” Style Shelves, lift rear of Shelf to disengage bracket and relax lifting pressure while pulling the Shelf away from the Uprite.

**SHELF AND DECK SIZES**

7" 10" 13" 15" 16" 17" 19" 20" 22" 25" 28" 31"

SHELF TYPE	SHELF ANGLES	RECOMMENDED UNIFORM LOAD CAPACITY IN LBS.											
“S” & “TL” Style Shelves & “SD” Decks	Flat	300	500	500	500	500	500	500	500	500	500	400	400
	17°Downslant	300	250	250	250	250	250	250	250	250	250	200	200
	Deck	—	—	600	—	600	—	600	—	800	800	800	800
“HL” & “HSD” Style Shelves and Decks	Flat	—	—	—	—	600	600	600	—	700	700	600	600
	30°Downslant	—	—	—	—	125	125	125	—	—	—	—	—
	17°Downslant	—	—	—	—	250	250	250	—	—	—	—	—
	Deck	—	—	—	—	—	—	900	—	1200	1200	1200	1200
“DL”	Flat	300	500	500	500	500	500	500	—	500	500	400	400
	30°Downslant	125	125	125	125	125	125	125	—	125	125	100	100
	17°Downslant	300	250	250	250	250	250	250	—	250	250	200	200
	15° Upslope	200	300	300	300	300	300	300	—	—	—	—	—

**Add Load Easer Base Brackets for 500 lbs. Additional Deck Capacity**

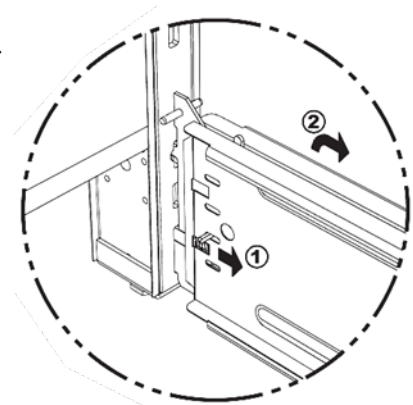
**NOTE:** Reduce capacities shown by 30% when only the front half of the shelf/ deck is loaded or by 50% if the shelf/deck is less than 36" wide.

## Base Bracket Removal & Replacement

### WALL SECTIONS:

**IMPORTANT!** These instructions must be followed to prevent collapse of the system. A crew of two (minimum) is required. One crew member must hold the uprite while the other is removing and replacing the base bracket on that uprite.

**Remove merchandise and shelves.** Remove base deck and base front from one section on each side of base bracket being removed. (If uprite is lagged to wall, adjust leveling leg up 1/8"-1/4" to relieve preload on bracket.) **1)** Pull latch tabs away from uprite. It may be necessary to pull tabs on each side of Base Bracket simultaneously in order to disengage latch. **2)** Lift bracket up and out of uprite. Install replacement base bracket immediately. Reinstall base front and base deck. Proceed to next base bracket.



### ISLAND SECTIONS:

**IMPORTANT!** These instructions must be followed to prevent collapse of the system. **WARNING!** Be sure to unload heavy side of island first, to prevent overturning. Be sure that, at no time, the unbalanced load rating (see pages 5 & 6) is exceeded as a result of unloading.

Work on one side of island at a time. Remove merchandise and shelves. Remove base deck and base front from one section on each side of the base bracket being removed. Make sure that uprite leveling leg is touching floor. Adjust bracket leveling leg 1/8"-1/4" off floor to relieve preload on bracket. **1)** Pull bracket latch tabs away from uprite. It may be necessary to pull tabs on each side of Base Bracket simultaneously in order to disengage latch. **2)** Lift bracket up and out of uprite. Install replacement base bracket immediately. Reinstall base front and base deck. Proceed to next base bracket.

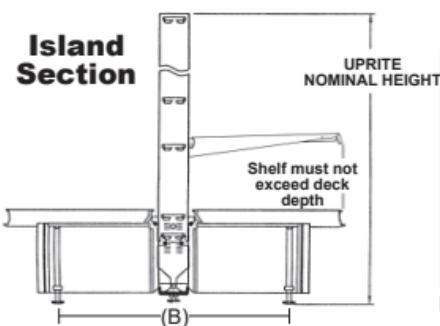
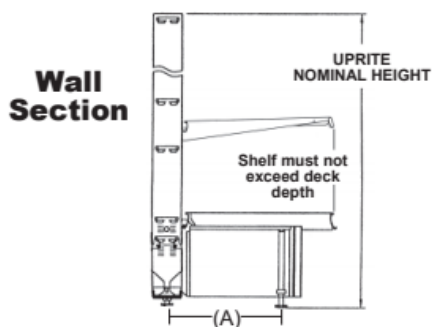
# LOZIER<sup>®</sup> PRODUCT SAFETY

**PEGBOARD BACK LOADS** -The load applied to Pegboard Backs with a standard Bottom Rail should not exceed 150 lbs. in total, 50 lbs. in any single square foot area, or 10 lbs. per hook. With heavy duty Bottom Rails, the load applied should not exceed 350 lbs. in total, 50 lbs. in any single square foot area, or 10 lbs. per hook. Excessive loading of Pegboard Backs can cause the Backs to fracture and/or become dislodged which could result in personal injury to employees or customers, damage to property, or damage to the fixture itself.

**MAXIMUM SECTION LOAD** – The maximum load placed on one section shall not exceed 4,500 lbs. This maximum shall include the combined weight placed on backs, shelves and decks, including both sides if an Island Section.

## Overturning Warnings

**! WARNING!** Failure to follow these instructions and warnings may result in overturning or collapse of the fixture, resulting in personal injury to your employees or customers, damage to property, or damage to the fixture itself.



**WALL**

BASE SIZE	LEVELER SPACING(A)	TALLEST UNANCHORED UPRITE
13"	9 3/4"	54"
16"	12 3/4"	72"
19"	15 3/4"	90"
22"	18 3/4"	108"
25"	21 3/4"	120"
28"	24 3/4"	144"

**NOTE:** For Uprite applications taller than 144", contact Marketing.

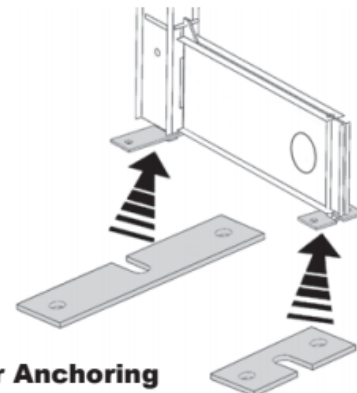
**ISLAND**

BASE SIZE	LEVELER SPACING(B)	TALLEST UNANCHORED UPRITE
13"/13"	19 1/2"	114"
13"/16"	22 1/2"	132"
13"/19"	25 1/2"	144"
16"/16"	25 1/2"	144"

**NOTE:** For Uprite applications taller than 144", contact Marketing.

### Important Notice for Free Standing Units

- If Glass Doorkits are used on Wall Section or on one side only of Island Section, reduce maximum height by 12"
- If fixture is on carpet, reduce maximum height by 12"
- Anchor Base Brackets of Wall Sections regardless of Uprite height.



**Floor Anchoring**

If Uprites on Wall Sections exceed the heights listed, the Base Bracket and the Uprite levelers must be anchored to the floor or otherwise braced.

Base Brackets of free-standing Wall Sections must be anchored to prevent backward tipping. If uprite height to leveler spacing exceeds 6:1 the Base Brackets and Uprites must be anchored.

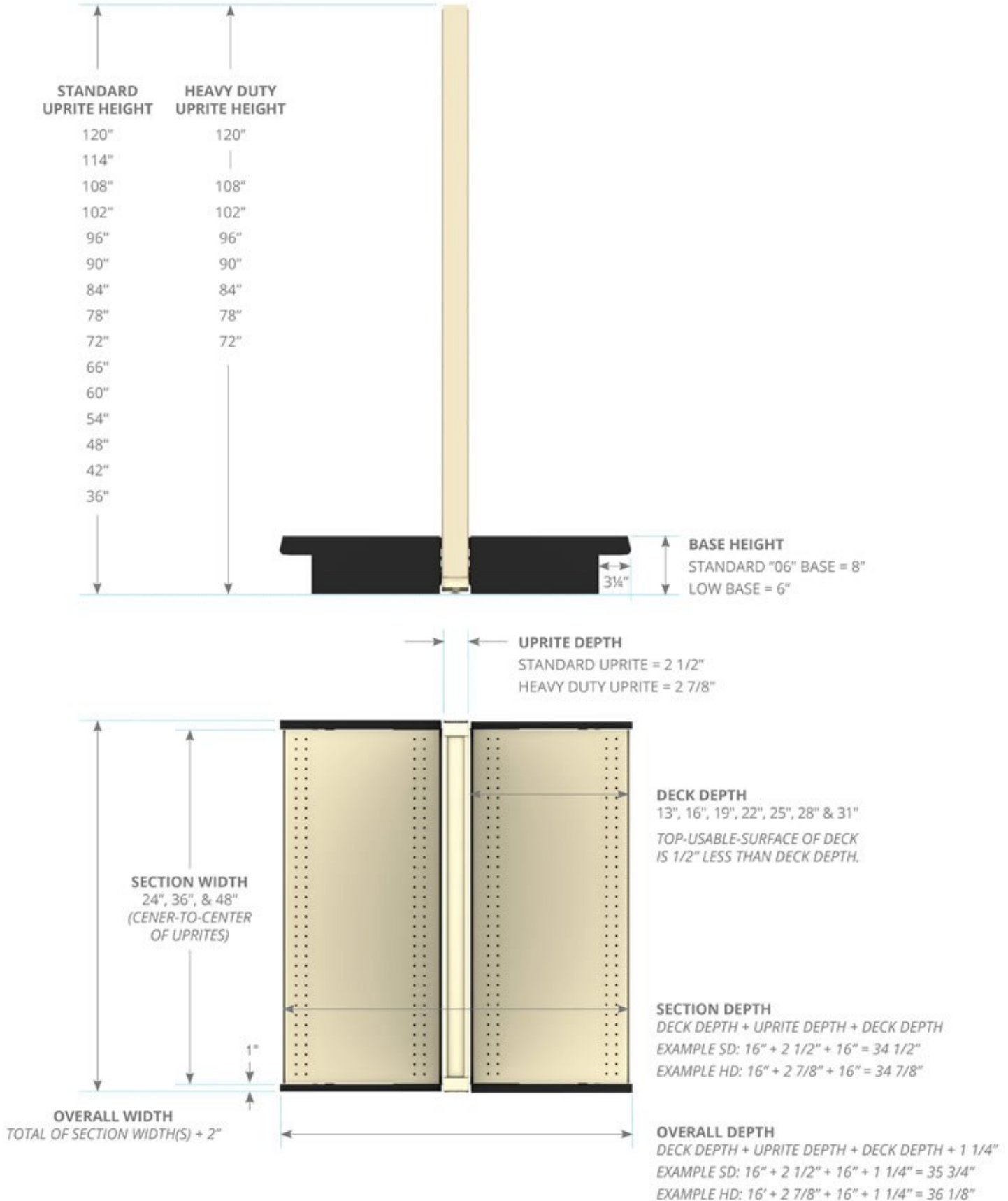
Contact local building official for anchoring requirements in seismic zones.

Maximum shelf depth **cannot** exceed Base Deck depth.

Do **not** hang Peg Hooks, Shelves, or other accessories on the back side of a Wall Section or any section without Base Brackets. Wall Sections do not have Base Brackets on the back side to provide support, and use of the back side to display merchandise may cause the section to tip over.

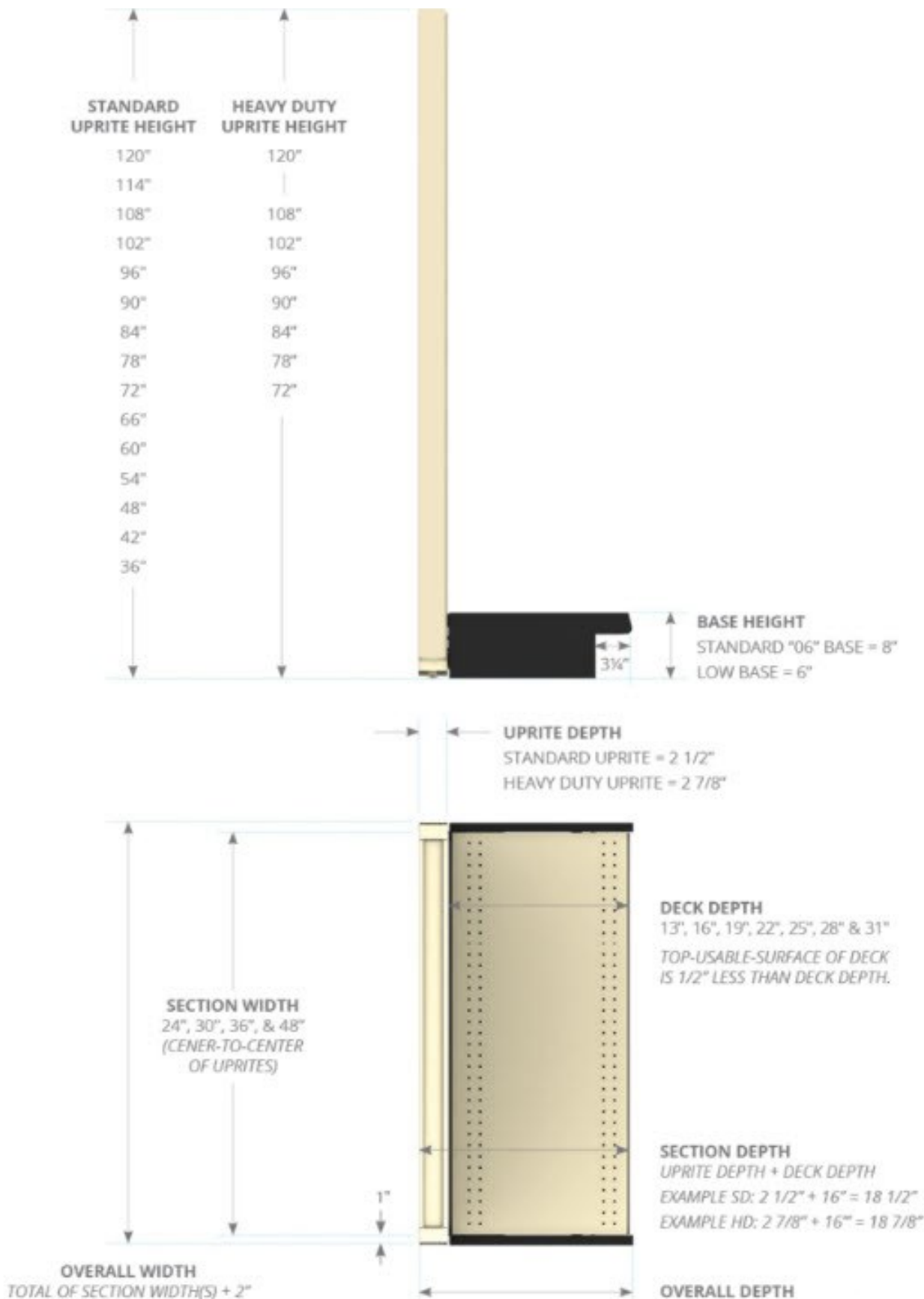
[FOR FULL INSTALLATION INSTRUCTIONS AND SAFETY INFORMATION CLICK HERE.](#)

**DIMENSIONAL SPECIFICATIONS - ISLAND SECTION**





# DIMENSIONAL SPECIFICATIONS - WALL SECTION

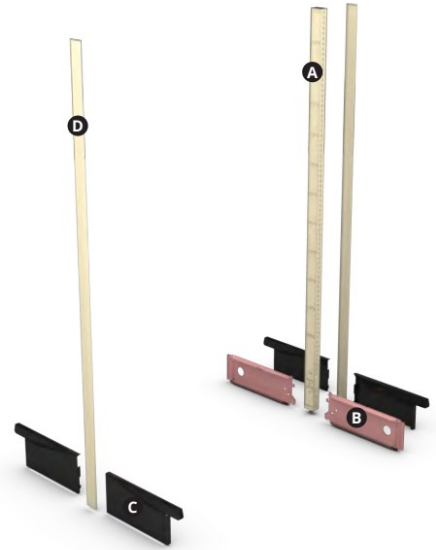


**ISLAND SECTIONS / ISLAND ENDS**

**ISLAND SECTION**



**ISLAND END**



**PART NUMBER**

**IS454**

IS.. Island Section

4 .. Nominal Section Width 3' or 4'

54 .. Nominal Section Height 36"-120"

**IE54**

IE .. Island End

54 .. Nominal Section Height 36"-120"

**OPTIONS**

**161606SPP**

16 ..Nominal Base Depth (13", 16", 19", 22", 25", 28", 31")

16 ..Nominal Base Depth (13", 16", 19", 22", 25", 28", 31")

06 ..Base Bracket Style    LB ..Low Base Style

S ..Spring Loaded Base Bracket

P ..Back 1 Type    (M=Solid P=Pegboard X=No Backs XS=Slatwall Ready)

P ..Back 2 Type    (M=Solid P=Pegboard X=No Backs XS=Slatwall Ready)

**161606S**

16 ..Nominal Base Shelf Depth

16 ..Nominal Base Shelf Depth

06 ..Base Bracket Style

S ..Spring Loaded Base Bracket

**EXAMPLE**

**IS454161606SPP**

Island Section

48"L x 54"H x 16" x 16", Peg backs

**IE54161606S**

Island End

54"H x 16"B x 16"B

# WALL SECTIONS / WALL ENDS

## WALL SECTION



### WS454

WS.. Wall Section

4 .. Nominal Section Width 3' or 4'

54 .. Nominal Section Height 36"-120"

## PART NUMBER

## WALL END



### WE54

WE .. Wall End

54 .. Nominal Section Height 36"-120"

## OPTIONS

### 1606SP

16 ..Nominal Base Depth (13", 16", 19", 22", 25", 28", 31")

06 ..Base Bracket Style    LB ..Low Base Style

S ..Spring Loaded Base Bracket

P ..Back 1 Type ( M=Solid P=Pegboard X=No Backs XS=Slatwall Ready)

### 1606S

16 ..Nominal Base Shelf Depth

06 ..Base Bracket Style

S ..Spring Loaded Base Bracket

## EXAMPLE

### WS3601306SP

Wall Section

36"L x 60"H x 13"B, Peg back

### WE601306S

Wall End

60"H x 13"B



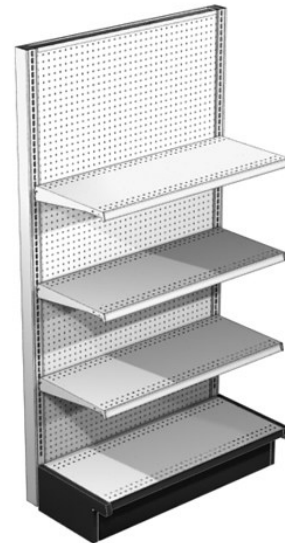
# END CAPS

## WALL END DISPLAY

Part Number

WED	Width	Height	Base	S
-----	-------	--------	------	---

- Widths 24", 30", 3' & 4'
- Heights 48", 54", 60", 66", 72", 78", 84", 90", 96"
- Base 13", 16", 19", 22" & 25"
- 06 Style Base Height | LB Low Style Base
- S –Spring Locking Base Bracket
- Pegboard front panel
- Solid Martek rear panel
- Other back panels types are special order
- Upper shelves sold separately

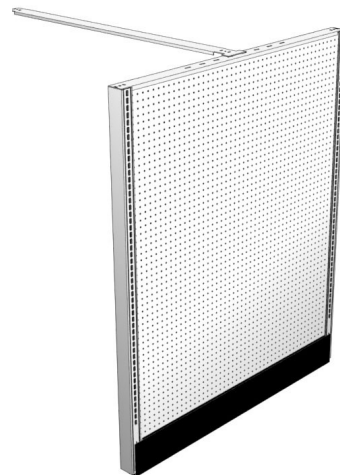


## NO BASE WALL END DISPLAY

Part Number

WEDNB	Width	Height	G4
-------	-------	--------	----

- Widths 24", 30", 3' & 4'
- Heights 48", 54", 60", 66", 72", 78", 84", 90", 96"
- Last Gondola Section length 3' or 4'
- Pegboard front panel
- Solid Martek rear panel
- Other back panels types are special order
- Can be used in conjunction with Plastic Display Bases

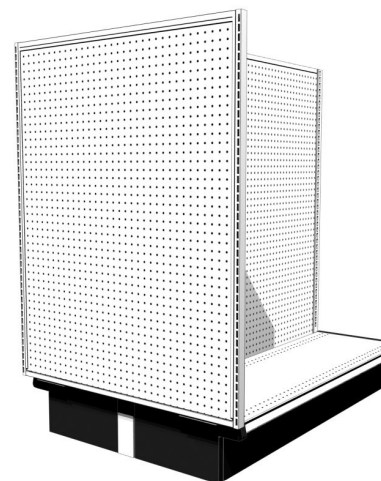


## FLUSH MERCHANDISING PANEL

Part Number

FMP	Height	Width	06	P	M
-----	--------	-------	----	---	---

- Flush Merchandising Panel
- Heights 48", 54", 60", 66", 72", 78", 84", 90", 96"
- Widths 24", 30", 36" & 48"
- 06 Standard Base Height | LB Low Base Height
- P - Pegboard front panel
- M - Solid Martek rear panel
- Can be used in conjunction with Plastic Display Bases
- Special order item



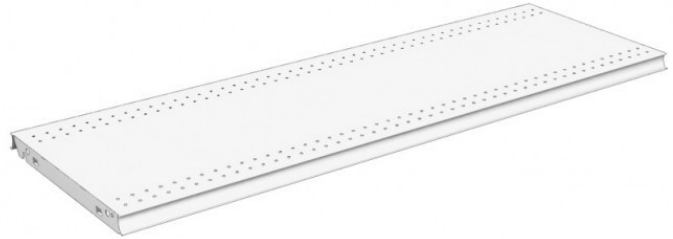
# DECKS AND SHELVES

## STANDARD DECK

Part Number

SD	Width	Depth	N
----	-------	-------	---

- Widths 24", 30", 36", & 48"
- Depths 13", 16", 19", 22", 25", 28", 31"
- Load Capacity: 600 –800 lbs.

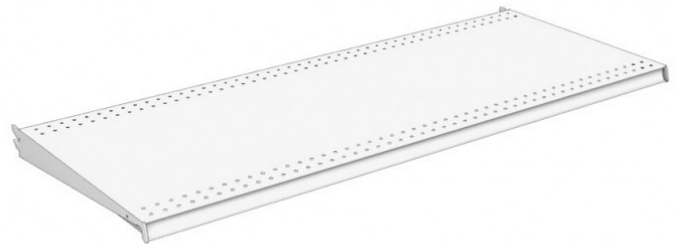


## TILT-IN UPPER SHELF

Part Number

TL	Width	Depth	N
----	-------	-------	---

- Widths 24", 30", 36", & 48"
- Depths 10", 13", 15", 16", 19", 22", 25", 28", 31"
- Two position, flat or 17° down
- Load capacity: 300 - 500 lbs.

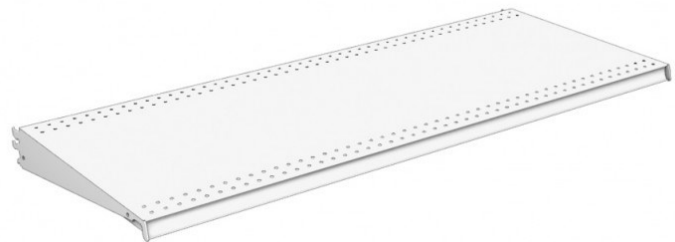


## DROP-IN UPPER SHELF

Part Number

DL	Width	Depth	N
----	-------	-------	---

- Widths 24", 30", 36", & 48"
- Depths 10", 13", 15", 16", 19", 22", 25", 28", 31"
- Three position, flat, 17° down, or 30° down
- Load capacity: 300 - 500 lbs.



## HEAVY-DUTY UPPER SHELF

Part Number

HL	Width	Depth	N
----	-------	-------	---

- Widths 36", & 48"
- Depths 16", 19", 22", 25", 28", 31"
- One position, flat
- Load capacity: 600 –700lbs.



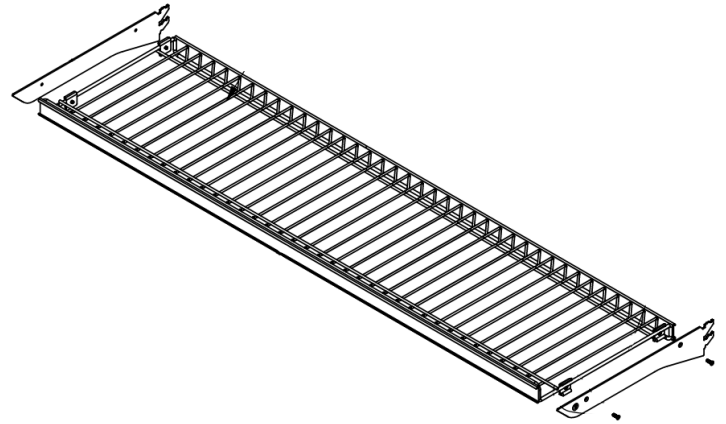
# MERCHANDISING ACCESSORIES

## CANDY-CHIP WIRE SHELF

Part Number

CCS	Width	Depth
-----	-------	-------

- Widths 30", 36", & 48"
- Depths 14"
- Black finish standard
- Reversible with tag molding up or down in the front

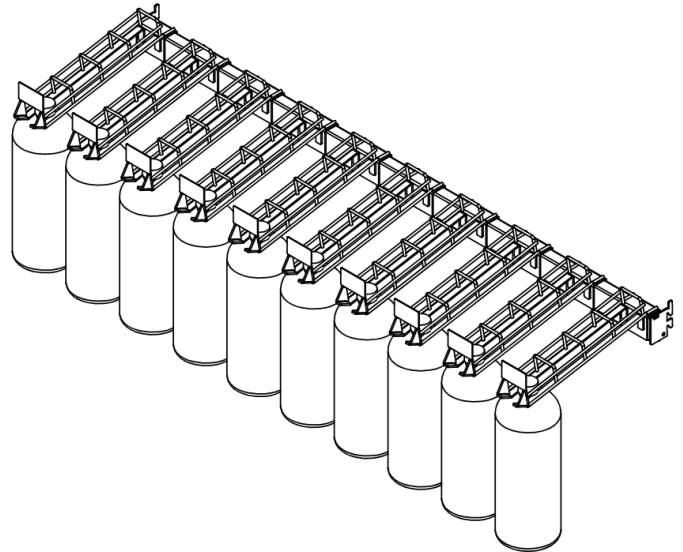


## BOTTLE ARM SLIDES

Part Numbers

**BSA12**

- Arm Slides fit (10) 2-Liter bottles per mounting bar
- Arms 12" Long, black finish
- Attaches to Feature Crosstube (FXT)
- Holds multiple bottle sizes by bottle top cap
- Self Facing, remove one bottle, the next slide to front



## BOTTLE ARM MOUNTING BAR

Part Number

**FXT401**

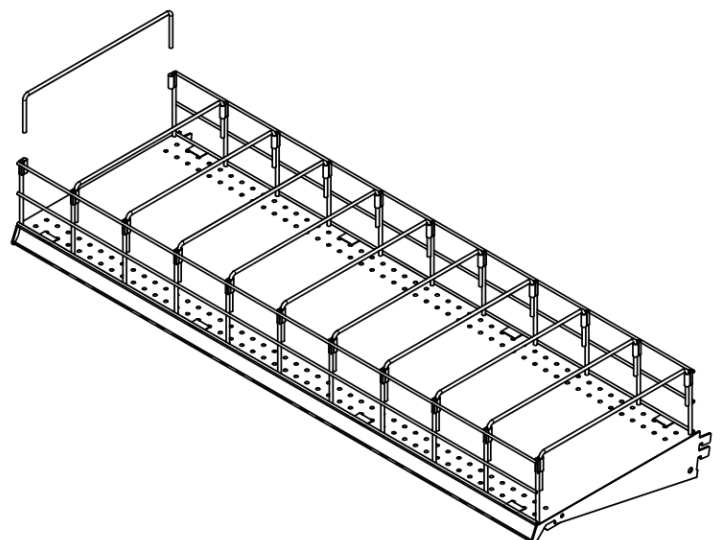
- Heavy-duty crosstube
- 48" long, 2" high, 1" deep, 1" standoff
- Black finish

## GRAVITY FEED DISPLAY SHELVES

Part Number

GFDS	Width	Depth
------	-------	-------

- Widths 48"
- Depths 16" & 24"
- Accommodates 2-liter bottles and oil bottles
- One position shelf
- Includes anti-friction motion mat
- Includes wire dividers / product stop
- Packout: 2-Liters (50) 24" deep, (30) on 16" deep shelf  
Motor oil (90) 24" deep, (60) on 16" deep shelf
- Available colors: Beige with white motion mat  
Black with black motion mat





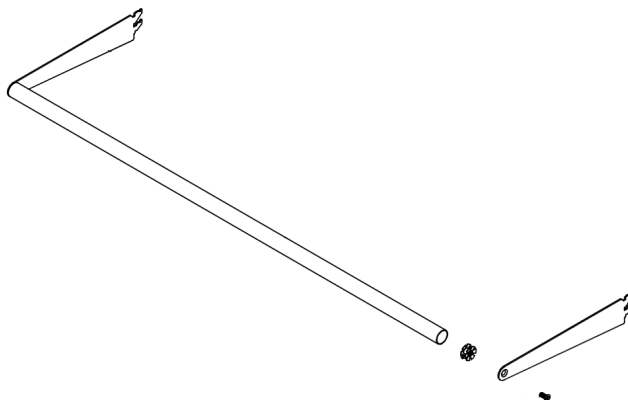
# MERCHANDISING ACCESSORIES

## HANGRODS

Part Number

LHR	Width	Depth
-----	-------	-------

- Widths 48"
- Depths 14"
- Brackets and brackets are the same color
- Available Colors: Beige and Black

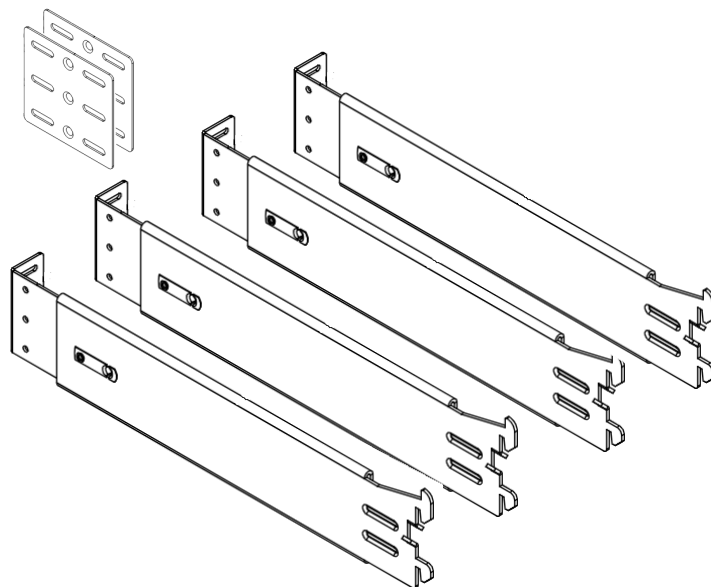


## ADJUSTABLE CANOPY BRACKETS

Part Number

**CBA1624**

- Adjusts from 16" to 24" standoffs
- Black finish standard
- Solid in packs of 4
- Accommodates multiple types of canopy fascia including wood, plastics, corrugated materials

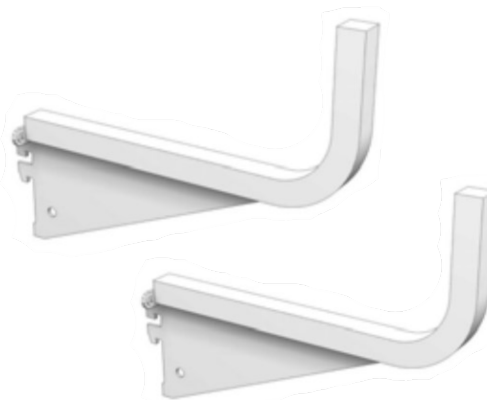


## HORIZONTAL DISPLAY BRACKETS

Part Number

**HDB12**

- Easily display long merchandise horizontally
- Ideal for PVC or metal pipes
- 12" Deep x 6" High
- Cannot share the same upright slot with other items



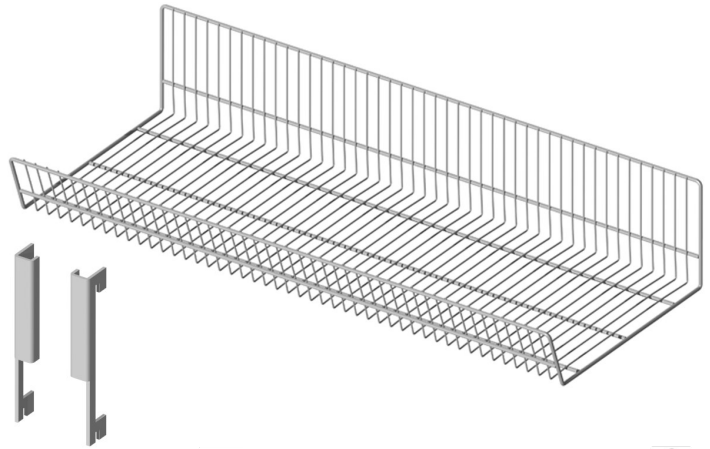
# MERCHANDISING ACCESSORIES

## WIRE BASKETS

Part Number

<b>C-BD</b>	<b>Width</b>	<b>Depth</b>
<b>C-BDHBKT</b>	<b>Upright Brackets</b>	

- Widths 36" & 48"
- Depths 12", 14", 16", 18", 20"
- 8"H Back and 4"H sloped front
- Two position: flat or 17° down
- Basket reversible in down slant position
- Standard finish: Zinc
- Load Capacity: 200 lbs.

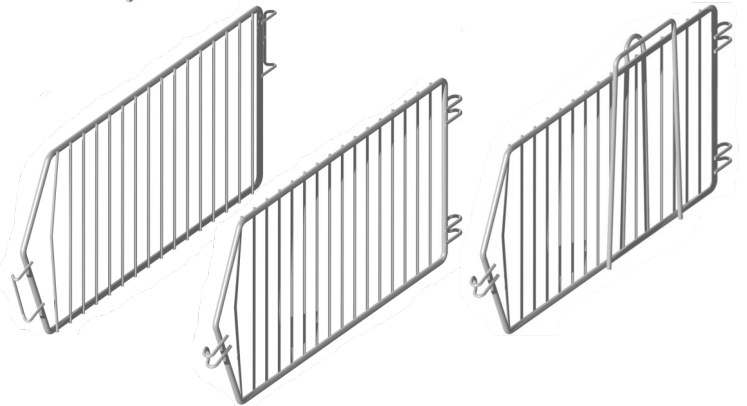


## WIRE BASKETS DIVIDERS / ENDS

Part Number

<b>C-BDIV</b>	<b>Depth</b>	<b>Dividers</b>
<b>C-BDE</b>	<b>Depth</b>	<b>Ends</b>
<b>C-BDSE</b>	<b>Depth</b>	<b>Stackable Ends</b>

- Depths 12", 14", 16", 18", 20"
- Standard finish: Zinc



## HEAVY-DUTY WIRE BASKETS

Part Number

<b>CWB</b>	<b>Width</b>	<b>Depth</b>	<b>BCP</b>
------------	--------------	--------------	------------

- Widths 36" & 48"
- Depths 13", 16", 19" & 22"
- 8"H Back and 6"H sloped front
- Two position: flat or 17° down
- Basket reversible in down slant position
- Standard finish: Chrome
- Load Capacity: 400 lbs.

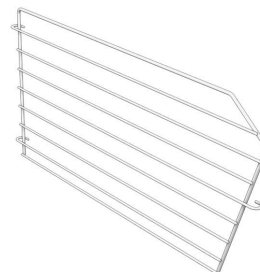


## HD WIRE BASKETS DIVIDERS

Part Number

<b>CWB</b>	<b>Depth</b>	<b>D</b>	<b>BCP</b>
------------	--------------	----------	------------

- Depths 13", 16", 19" & 22"
- Standard finish: Chrome



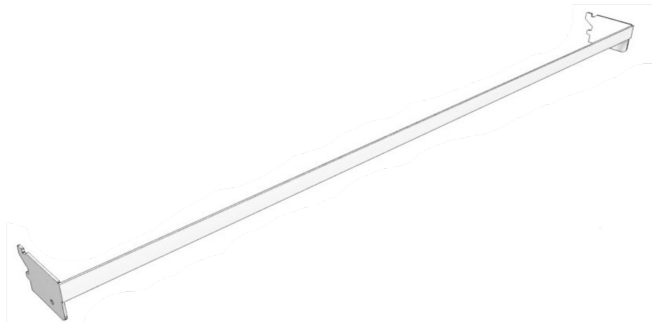
# MERCHANDISING ACCESSORIES

## CROSSBARS

Part Number

LXB	Length	Projection
-----	--------	------------

- Width 36" or 48"
- Projection 3", 6", 9" & 12"
- 1"H x 1/4"D bar
- Crossbars accept standard crossbar hooks
- [Crossbar hooks sold separately](#)

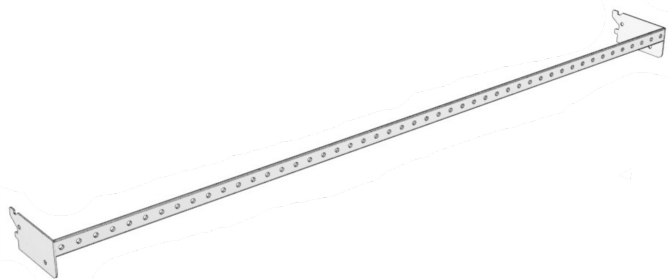


## PERFORATED CROSSBARS

Part Number

LXBP	Length	Projection
------	--------	------------

- Width 36" or 48"
- Projection 3", 6", 9" & 12"
- 1"H x 1/4"D bar
- Punched crossbar accepts standard peg hooks
- [Peg hooks sold separately](#)

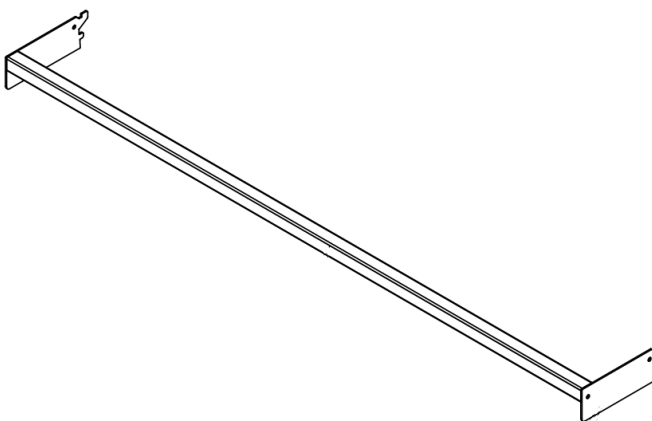


## CROSSTUBES

Part Number

XT	Length	Projection
----	--------	------------

- Width 36" or 48"
- Projection 3", 6", 9" & 12"
- 1"H x 1"D bar
- Accepts 1" x 1" tube accessories

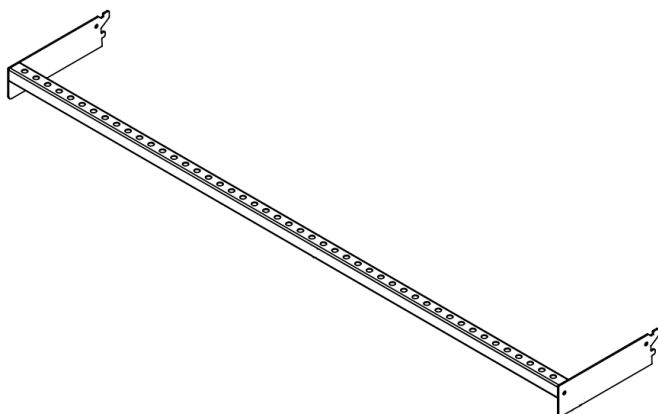


## PERFORATED CROSSTUBES

Part Number

CXT	Length	Projection
-----	--------	------------

- Width 36" or 48"
- Projection 3", 6", 9" & 12"
- 1"H x 1"D bar
- Accepts 1" x 1" tube accessories or Crosstube accessories





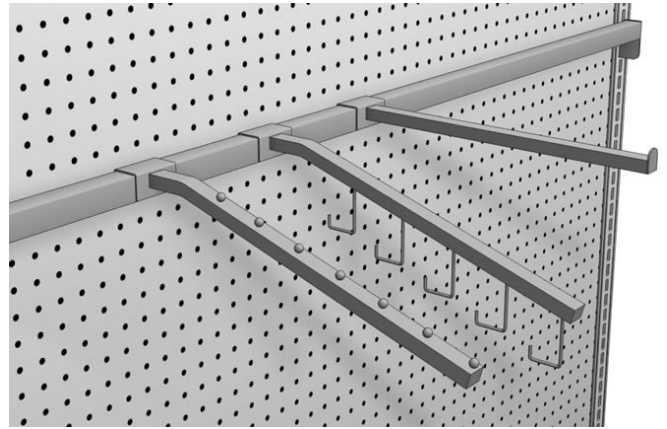
# MERCHANDISING ACCESSORIES

## CROSTUBE FACEOUTS

Part Number

<b>XTAS12</b>	<b>Straight Arm</b>
<b>XTA7BD12</b>	<b>7-Ball, Downslant Arm</b>
<b>XTA5HD12</b>	<b>5-Hook, Downslant Arm</b>

- Fits 1" square crosstube
- Project 12" from crosstube
- Standard finish: Polished chrome

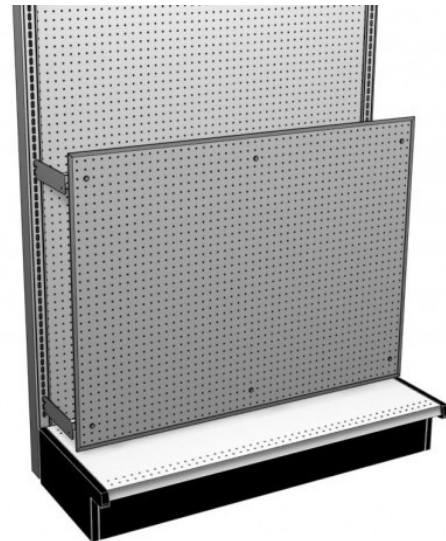


## EXTENDED PEGBOARD PANELS

Part Number

<b>XPA</b>	<b>Width</b>	<b>Height</b>	<b>Panel Projection</b>
------------	--------------	---------------	-------------------------

- Widths 48" & 36"
- Height 24", 30", 36"
- Panel Projection 3", 6", 9" & 12"
- Includes panel, crosstubes, and brackets
- Platinum and Black finishes with aluminum frame

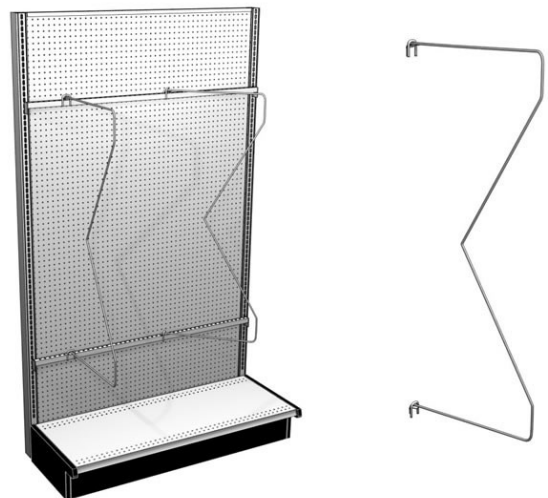


## CROSTUBE M-DIVIDERS

Part Number

**HT1161**

- Separates vertical merchandise
- Divider 24"D x 48"H
- Mounts on (2) CXT perforated crosstubes
- Fits onto XT crosstubes at 45° or 90°



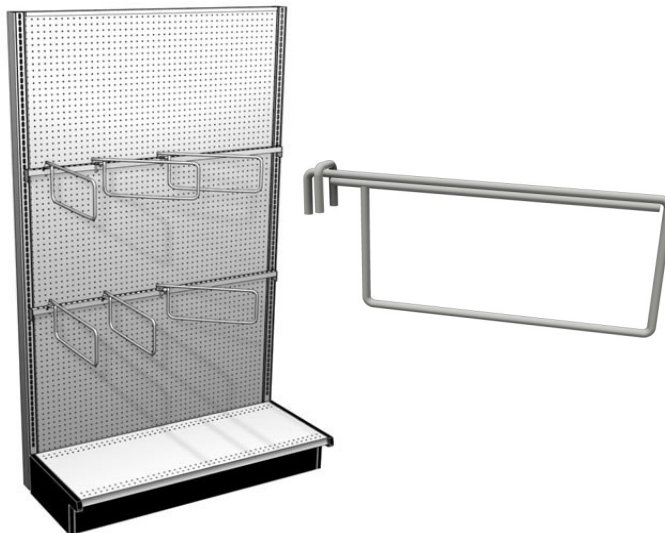
# MERCHANDISING ACCESSORIES

## HEAVY DUTY CROSSTUBE DIVIDERS

**Part Number**

HT1151	18" Deep
HT1152	24" Deep

- 1/2" diameter wire
- Fits onto CXT crosstube at 45° or 90°
- Supports long and heavy vertical merchandise
- Perforated CXT Crosstube sold separately

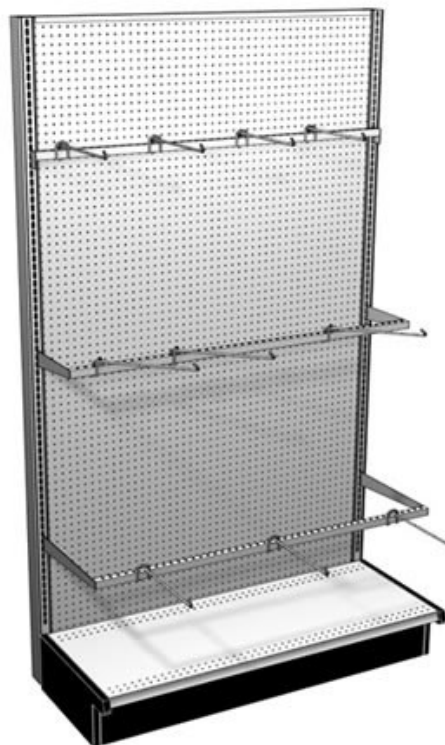


## CROSSTUBE HOOK DIVIDER

**Part Number**

HD	Depth
----	-------

- Available depths: 13", 16", 19"
- 3/8" diameter rod
- Fits onto CXT crosstube at 45° or 90°
- Separates vertical merchandise
- Perforated CXT Crosstube sold separately



## CROSSTUBE COMPARTMENT HOOK DIVIDER

**Part Number**

CHD	Depth
-----	-------

- Available depths: 10", 13", 16", 19"
- 3/8" diameter rod
- 1/4" diameter balls spaced 2" apart
- Fits onto CXT crosstube at 45° or 90°
- Separates vertical merchandise
- Perforated CXT Crosstube sold separately



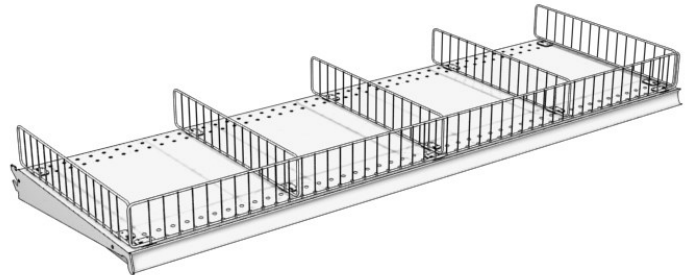
# Shelf Management

## WIRE FRONT FENCING

**Part Number**

FD	Height	Length	CN-LZ
----	--------	--------	-------

- Available heights: 3” or 6”
- Available lengths: 48”, 36”, 30”, or 24”
- Chrome finish



## WIRE DIVIDERS

**Part Number**

FD	Height	Depth	CN-LZ
----	--------	-------	-------

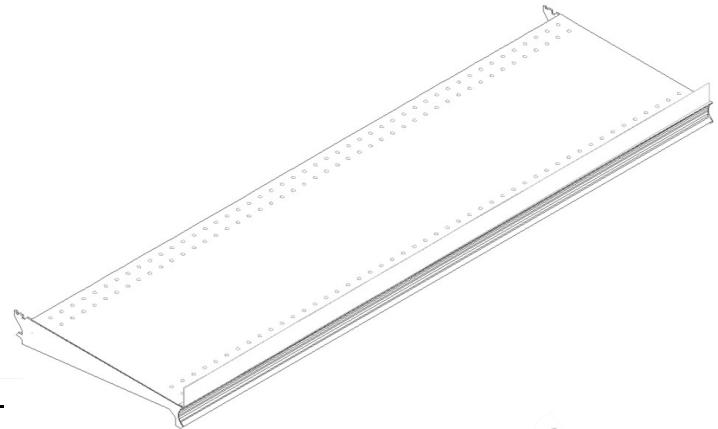
- Available heights: 3” or 6”
- Available shelf depths: 10”, 13”, 16”, 19”, 22”, 25”
- Chrome finish

## MAGNETIC SHELF FRONTS

**Part Number**

RMF	Height	Length
-----	--------	--------

- Available heights: 1.5” or 3”
- Available lengths: 48”, shorter lengths can be field cut
- Clear finish

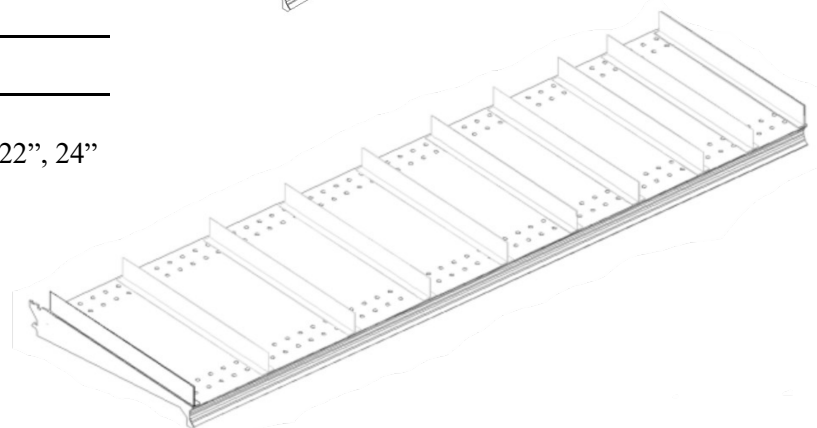


## MAGNETIC SHELF DIVIDERS

**Part Number**

RMD	Height	Depth
-----	--------	-------

- Available heights: 1.5” or 3”
- Available depths: 10”, 12”, 14”, 16”, 18”, 20”, 22”, 24”
- Clear finish



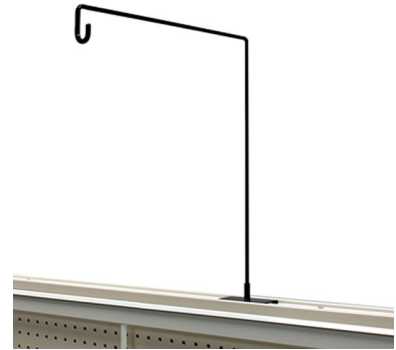
# MAGNETIC GONDOLA SIGN HOLDERS

## RIGHT ANGLE SIGN HOLDER - SINGLE

**Part Number**

MSH1608	16" high x 8" deep
MSH1614	16" high x 14" deep
MSH1620	16" high x 20" deep

- Magnetic mounting plate attaches to top rail or metal shelf
- Black or Off-White finish
- **Sold in packs of five**



## RIGHT ANGLE SIGN HOLDER - DOUBLE

**Part Number**

MSH1616-2S	16" high x 16" ( 8" per side)
MSH1628-2S	16" high x 28" (14" per side)
MSH1640-2S	16" high x 40" (20" per side)

- Magnetic mounting plate attaches to top rail or metal shelf
- Black or Off-White finish
- **Sold in packs of five**



## ARCHED SIGN HOLDER - SINGLE

**Part Number**

MRSH1608	16" high x 8" deep
MRSH1614	16" high x 14" deep
MRSH1620	16" high x 20" deep

- Magnetic mounting plate attaches to top rail or metal shelf
- Black or Off-White finish
- **Sold in packs of five**



## ARCHED SIGN HOLDER - DOUBLE

**Part Number**

MRSH1608	16" high x 8" deep
MRSH1614	16" high x 14" deep
MRSH1620	16" high x 20" deep

- Magnetic mounting plate attaches to top rail or metal shelf
- Black or Off-White finish
- **Sold in packs of five**





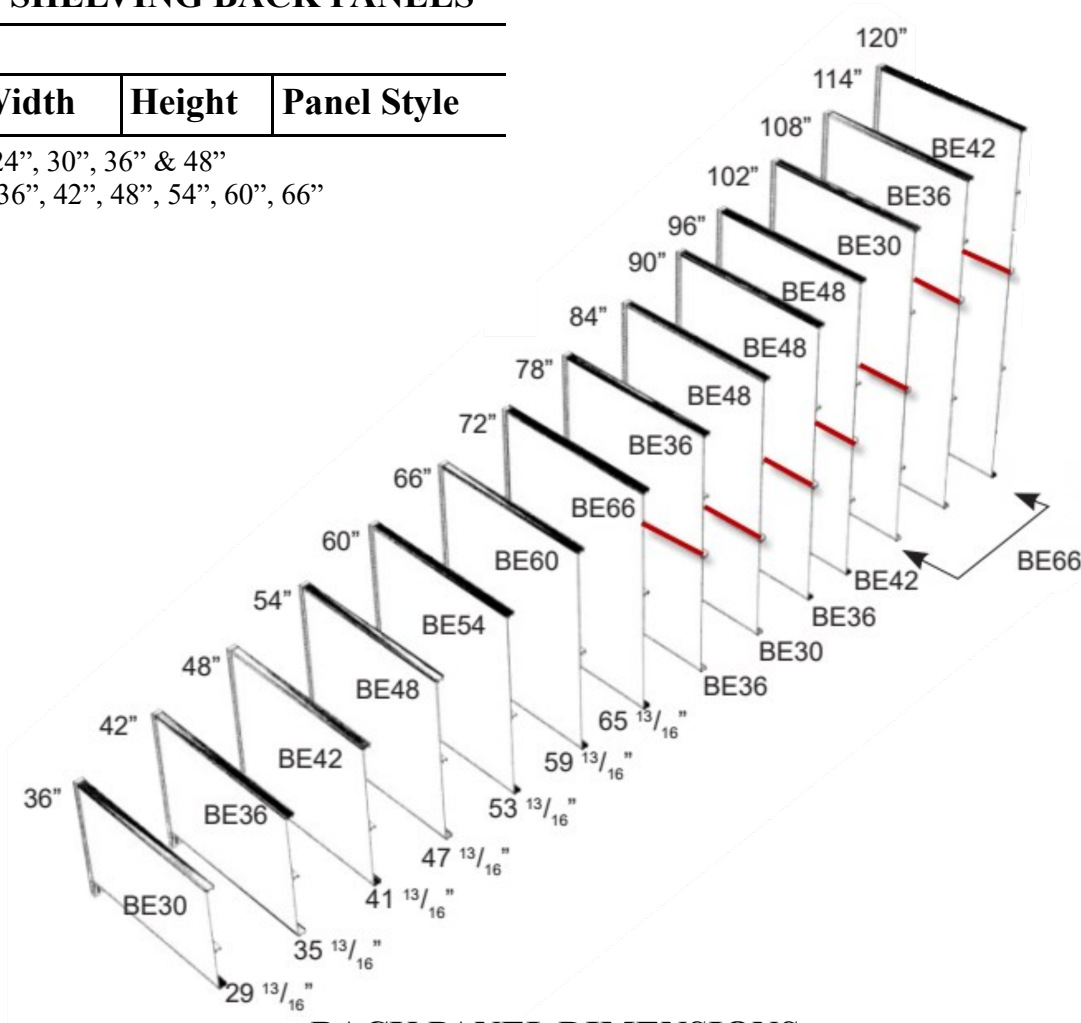
# BACK PANELS

## DISPLAY SHELVING BACK PANELS

Part Number

BE	Width	Height	Panel Style
----	-------	--------	-------------

- Widths: 24", 30", 36" & 48"
- Heights: 36", 42", 48", 54", 60", 66"

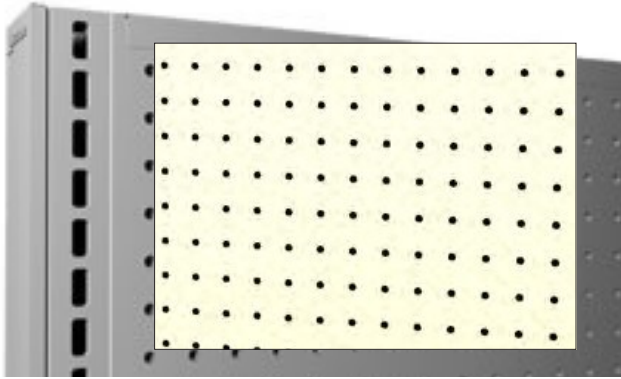


### BACK PANEL DIMENSIONS

Upright Height	Part No.	Nominal Back Height	Actual Back Height	Nominal Back Width	Actual Back Width
36	BE_30	30"	23 - 13/16"	24"	22 - 17/32"
42	BE_36	36"	29 - 13/16"	30"	28 - 17/32"
48	BE_42	42"	35 - 13/16"	36"	34 - 17/32"
54	BE_48	48"	41 - 13/16"	48"	46 - 17/32"
60	BE_54	54"	47 - 13/16"		
66	BE_60	60"	53 - 13/16"		
72	BE_66	66"	59 - 13/16"		

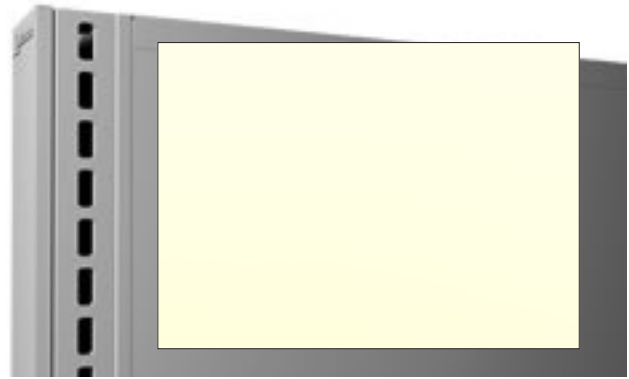
- One piece back panels from 36" to 72" upright heights (except for slatwall)
- Top of pegboard backs are marked with a paint stripe for correct placement in fixtures
- First row of holes are 7/8" from the top edge for pegboard panels
- Available back options: Pegboard (P), Marteck (M), Slatwall (S)

## BACK PANELS



### PEGBOARD

- 1/4" diameter holes, 1" on center
- Painted



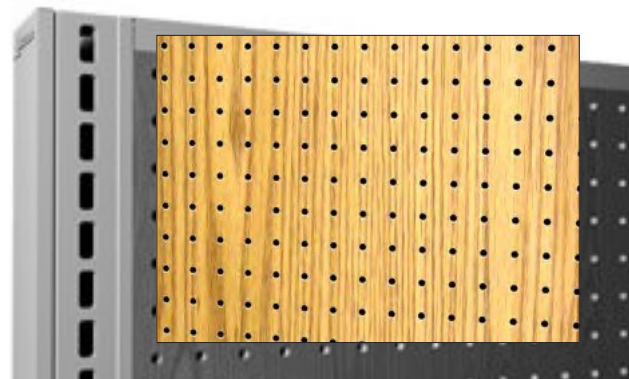
### MARTEK

- Solid Hardboard
- Painted



### SOLID WOODGRAIN

- Solid Panel, Printed vertical grain pattern
- Standard Finish IA1 Oak



### WOODGRAIN PEGBOARD

- Printed vertical grain pattern
- Standard Finish IA1 Oak



### ECONO MARTEK

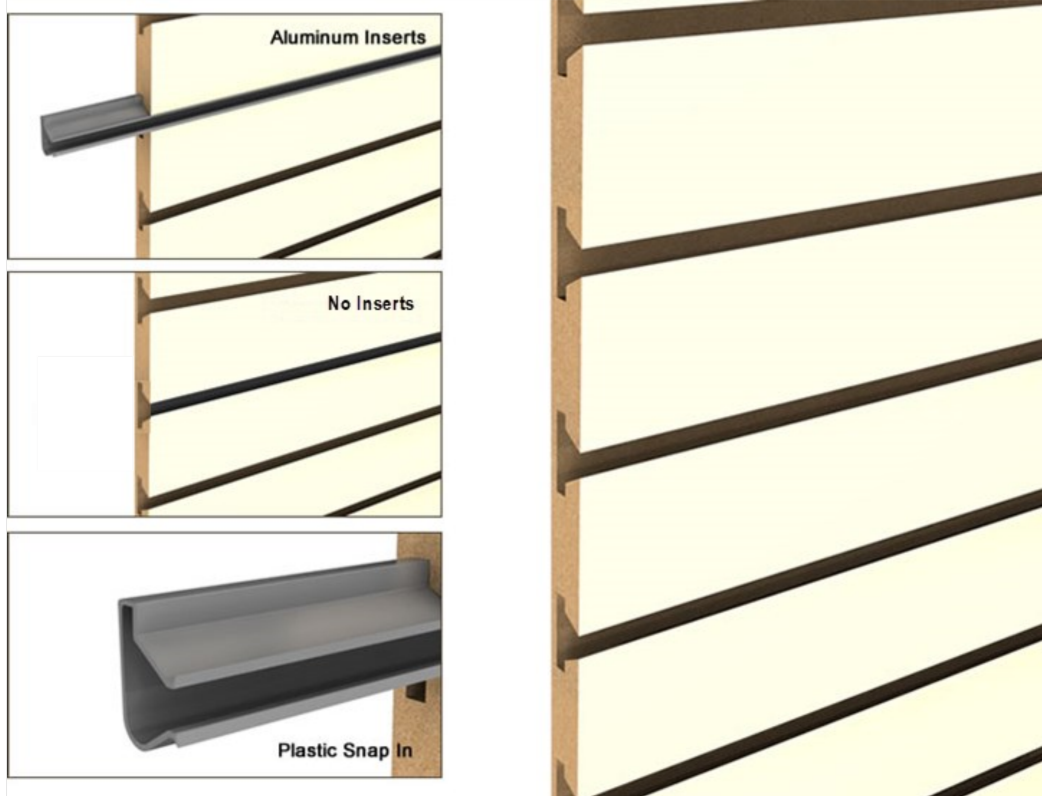
- Solid Hardboard
- Unpainted in various natural shades of yellow/tan



### SLATWALL

- 3" On Center Horizontal Grooves
- Accepts standard Slatwall accessories

# SLATWALL BACK PANELS



## SLATWALL BACK PANELS

Part Number

BE or SEB	Width	Height	S	Color	Insert (if required)
-----------	-------	--------	---	-------	----------------------

- Widths 30", 36", & 48"
- Heights 36" - 120"
- 3" On Center Grooves
- Accepts standard slatwall accessories
- Slatwall backs require a minimum of 60" clearance above the shelving to install\

Standard Colors: Almond (Platinum) MA1, Black MB6, Gray MB4, White MA5

Optional Colors: Cherry (MP5), Maple (MG1), Oak (MC2), Pine (MPN), Barn Board (M5D), Mahogany (MN5)

Option Insert Colors: Aluminum ALU, or Plastic Almond PLT, Black CHR, Gray GRY, or White WHT

### ONE PIECE SLATWALL BACKS

Upright Height	Part Number
36"	BE_30S
42"	BE_36S
48"	BE_42S
54"	BE_48S
60"	BE_54S
66"	BE_60S

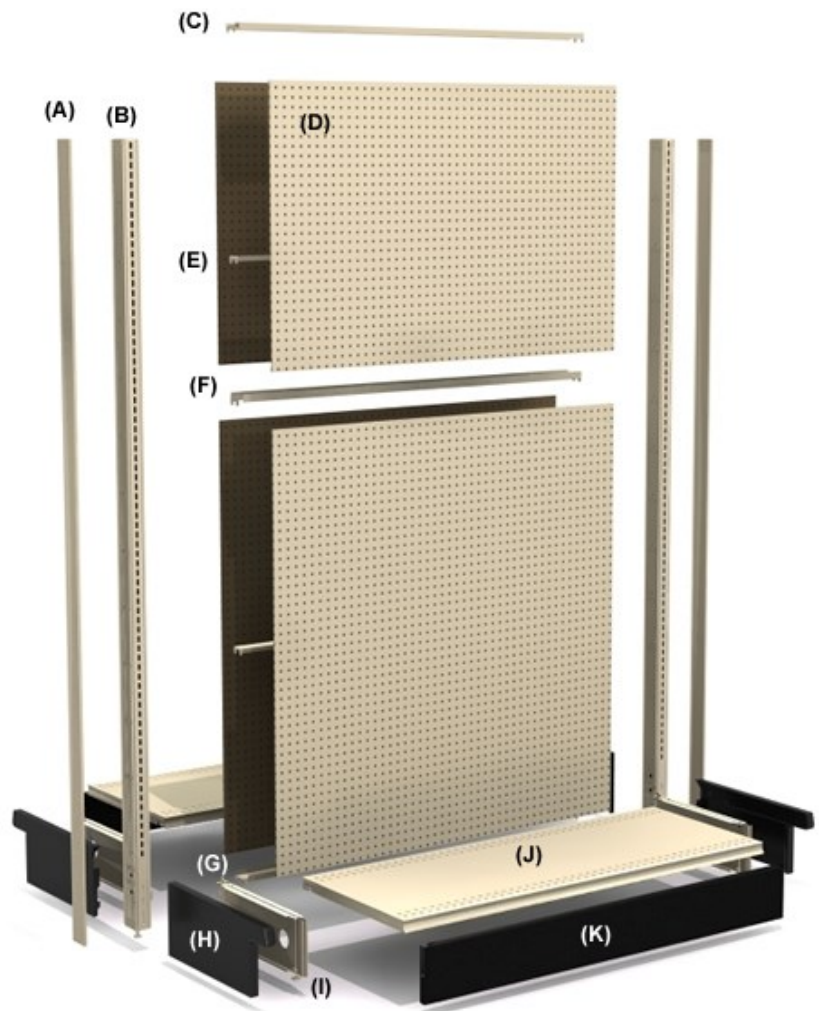
### TWO PIECE SLATWALL BACKS

Upright Height	Part Number
72"	SEB_66S = BLE_48S + BU_18S
78"	SEB_72S = BLE_48S + BU_24S
84"	SEB_78S = BLE_60S + BU_18S
90"	SEB_84S = BLE_48S + BU_36S
96"	SEB_90S = BLE_48S + BU_42S
108"	SEB_102S = BLE_60S + BU_42S
120"	SEB_114S = BLE_60S + BU_54S

## LOZIER DISPLAY SHELVING PARTS

### COMPONENTS

A	Upright Trim - UET*
B	Upright - U*
C	Top Rail - R4T
D	Back Panel - BE**
E	Center Rail - R4C
F	Splicer Rail - R4S
G	Bottom Rail - R4B
H	Base End Trim - BET*
I	Base Bracket - BB*06S
J	Base Deck - SD**N
K	Closed Base Front - CBF406



Need parts to expand your current shelving or replacement parts to refresh your retail space? Order the shelving parts you need one piece at a time. If we can assist you determine what you need to complete your project, please contact us at [info@mw-rs.com](mailto:info@mw-rs.com) or 800-576-7577.



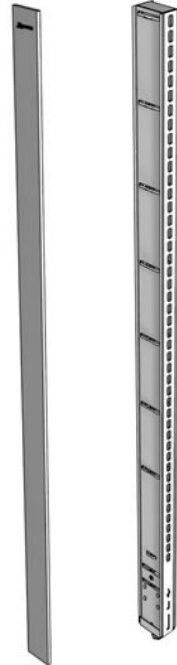
# LOZIER DISPLAY SHELVING PARTS

## UPRITE

Part Number

U	Height
---	--------

- 1" slotted on center
- Leveler included
- Heights 36", 42", 48", 54", 60", 66", 72", 78", 84", 96"
- Special Order: 108" & 120"

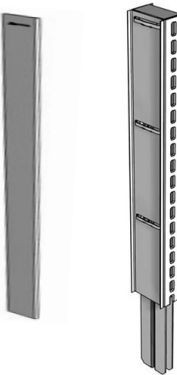


## UPRITE END TRIM

Part Number

UET	Height
-----	--------

- Metal trim
- Snaps onto end uprites
- Heights 36", 42", 48", 54", 60", 66", 72", 78", 84", 96"
- Special Order: 108" & 120"



## UPRITE EXTENSION

Part Number

UET	Height	E
-----	--------	---

- Inserts into Lozier uprites
- Heights 6", 12", 18", 24", 30", 36", 42" & 48"

## UPRITE END TRIM

Part Number

UET	Height
-----	--------

- Metal trim
- Snaps onto extension uprites
- Heights 6", 12", 18", 24", 30", 36", 42" & 48"



## UPRITE CAP

Part Number

DC1561

- Installed on top of uprites
- Included with uprites 36" - 66" high

# LOZIER DISPLAY SHELVING PARTS

## WALL MOUNT UPRITE

**Part Number**

WMU	Height
-----	--------

- Accepts standard shelves and accessories
- 1" slotted on center
- 1" shorter than nominal size
- Heights 48", 60", 72", 84" & 90"

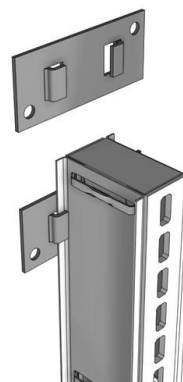


## UPRITE MOUNTING BRACKET

**Part Number**

DC2191

- Connects uprights to building walls
- Two brackets for standards up to 96" high
- Three brackets for standard higher than 96"
- One bracket for extensions 36" and under
- Fasteners not included

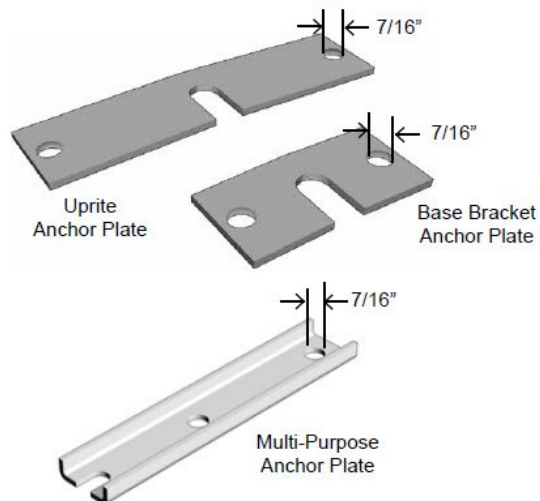


## FLOOR ANCHORS

**Part Number**

DC1241	Upright Anchor
DC1242	Base Bracket Anchor
DC1248	Multi-Purpose Anchor

- Used when shelving exceeds height to depth ratios
- Secures leveling leg to floor using anchor bolts
- Accepts 1/4" or 3/8" diameter anchor bolts
- Multi-Purpose anchor for end of runs, WED wall end displays, or limited access applications
- Galvanized finish
- Bolts not included



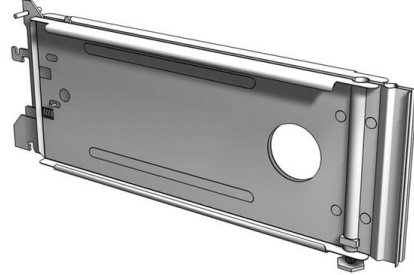
# LOZIER DISPLAY SHELVING PARTS

## BASE BRACKET

Part Number

BB	Depth	06 or LB	S
----	-------	----------	---

- Base depths: 13", 16", 19", 22", 25", 28" & 31"
- Standard Height: 6", Low Base optional
- Spring loaded for straight in installation
- 2" conduit hole for electrical access
- Actual length is 3" less than nominal base depth

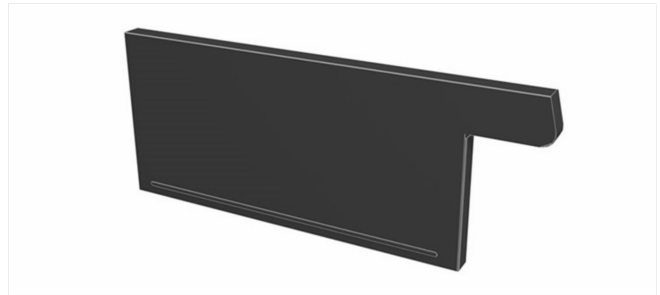


## BASE END TRIM

Part Number

BET	Depth	06 or LB
-----	-------	----------

- Base depths: 13", 16", 19", 22", 25", 28" & 31"
- Standard Height: 6", Low Base optional
- Installed on end base brackets
- Provided in pairs
- Standard black finish

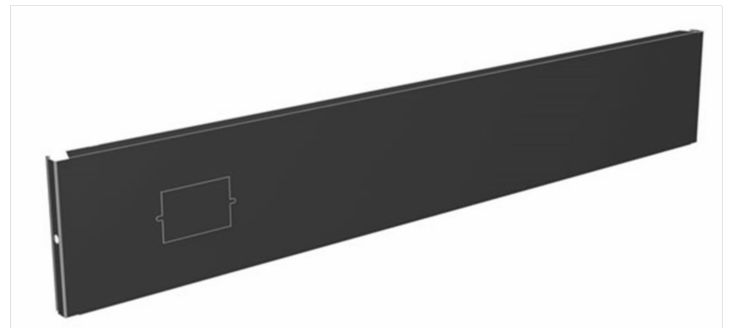


## CLOSED BASE FRONT

Part Number

CBF	Width	06 or LB
-----	-------	----------

- Base depths: 13", 16", 19", 22", 25", 28" & 31"
- Standard Height: 6", Low Base optional
- Spring loaded for straight in installation
- 2" conduit hole for electrical access
- Actual length is 3" less than nominal base depth
- Standard black finish



## GAP FILLER

Part Number

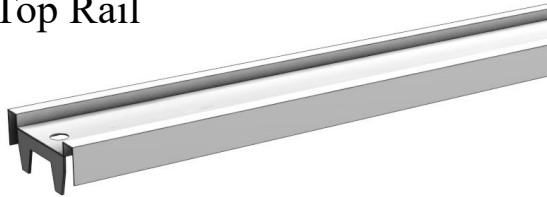
GF	Width
----	-------

- Section widths 2', 30", 3', 48"
- Fills gap between bottom rail and floor
- Standard black finish

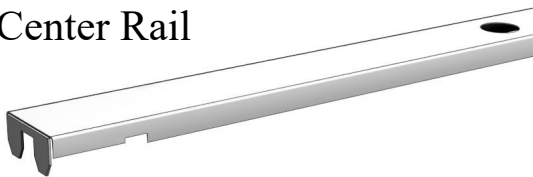


# LOZIER DISPLAY SHELVING PARTS - STANDARD BACKS

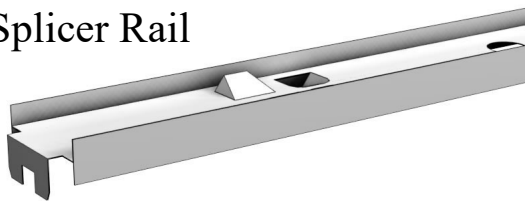
Top Rail



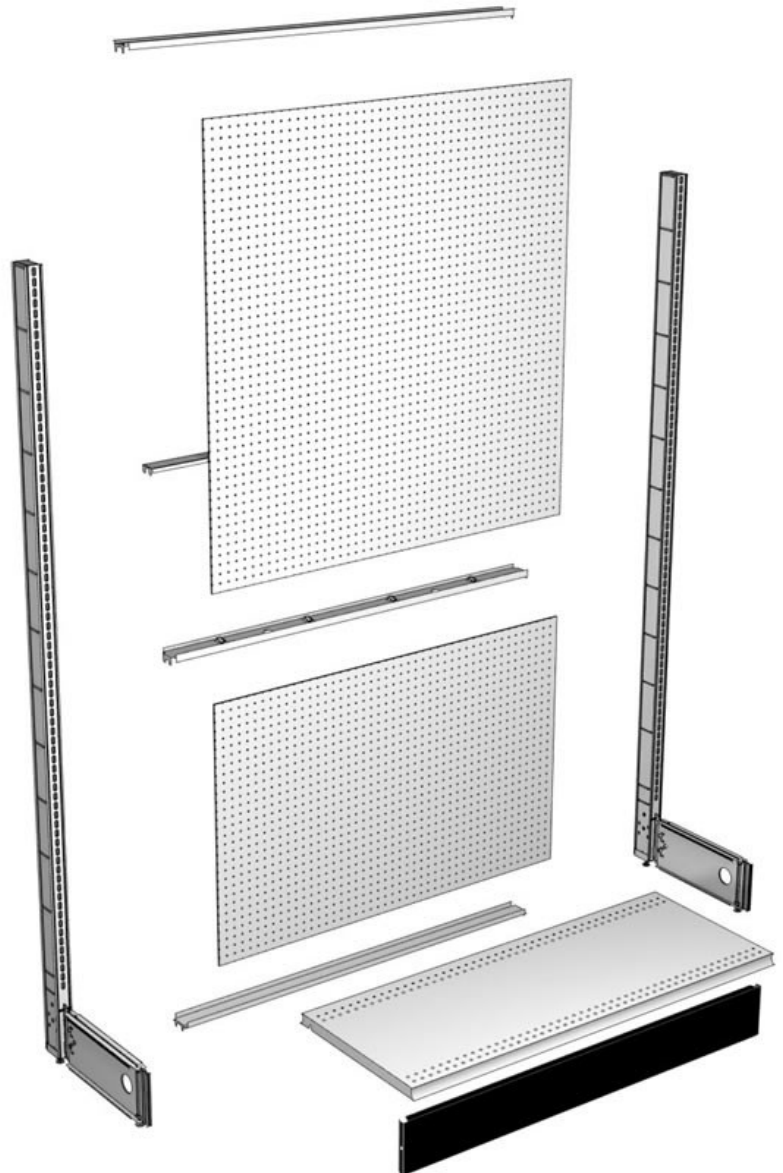
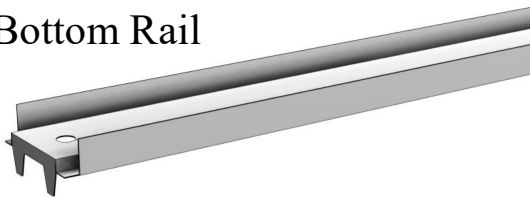
Center Rail



Splicer Rail



Bottom Rail



## RAILS

**Part Number**

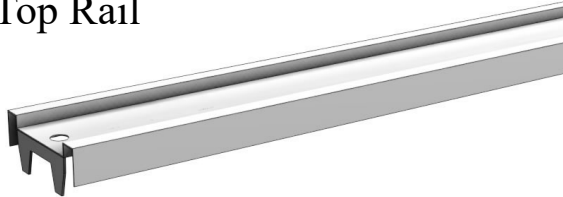
R	Width	T	Top Rail
R	Width	C	Center Rail
R	Width	S	Splicer Rail
R	Width	B	Bottom Rail

- Widths 2', 3', 4'
- Rail Styles T - Top Rail, SC - Slatwall Center Rail, HDB- Heavy Duty Bottom Rail
- One Slatwall Center Rail for units 36" - 66" tall
- Two Slatwall Center Rail for units 72" - 120" tall
- All splicers include electrical knockouts
- For 2' sections, use standard bottom rail

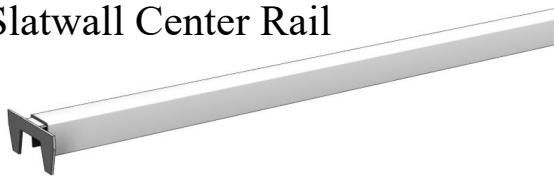


# LOZIER DISPLAY SHELVING PARTS - SLATWALL BACKS

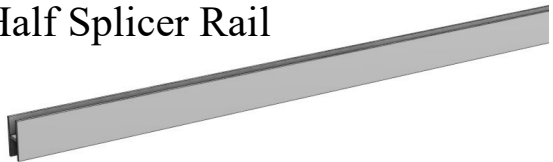
Top Rail



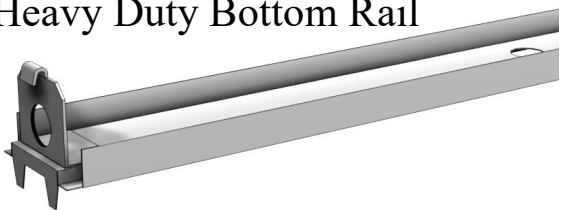
Slatwall Center Rail



Half Splicer Rail



Heavy Duty Bottom Rail



## RAILS

**Part Number**

R	Width	T	Top Rail
R	Width	SC	Slatwall Center Rail
R	Width	HS	Half Splicer Rail
R	Width	HDB	Heavy Duty Bottom Rail

- Widths 2', 3', 4'
- Rail Styles T - Top Rail, SC - Slatwall Center Rail, HS-Half Splicer, HDB- Heavy Duty Bottom Rail
- One Slatwall Center Rail for units 36" - 66" tall
- Two Slatwall Center Rail for units 72" - 120" tall
- All splicers include electrical knockouts
- For 2' sections, use standard bottom rail

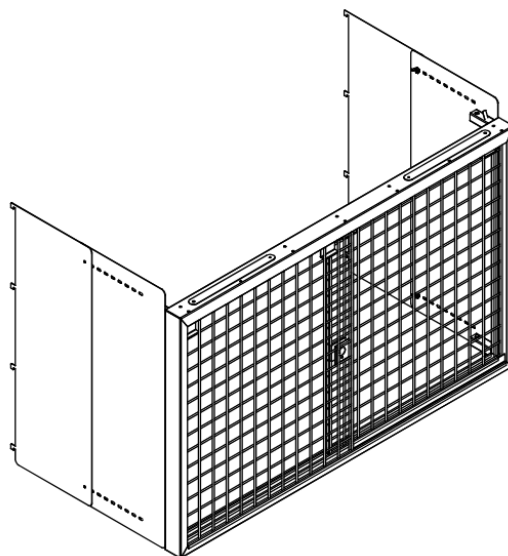
# LOCKING DOOR KITS

## LOCKING DOOR KIT - WIRE GRID

Part Number

DKWG	Section Width	Door Kit Height
------	---------------	-----------------

- Section Widths: 4'
- Door Kit Heights: 30"
- 2" x 2" wire grid
- Lock included
- Kit includes adjustable side panels (16" - 24" depth)
- Shelves behind door kit must be 4" less than base
- Top shelf sold separately

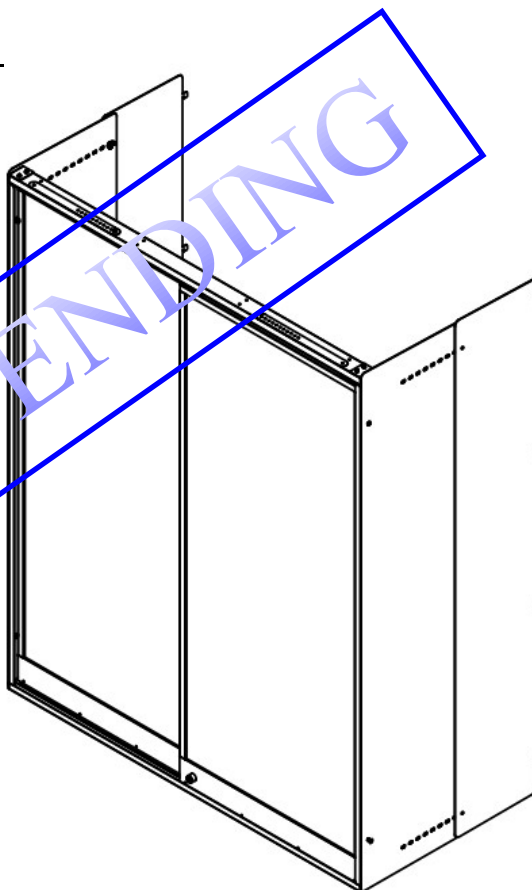


## LOCKING DOOR KIT

Part Number

DKPD	Section Width	Door Kit Height
------	---------------	-----------------

- Section Widths: 4'
- Door Kit Heights: 30", 60", 77", 84"
- Clear Polycarbonate Doors (40% lighter than glass)
- Lock included
- Kit includes adjustable side panels (16" - 24" depth)
- Shelves behind door kit must be 4" less than base
- Top shelf sold separately



PRODUCT PENDING

# GONDOLA MILLWORK ACCESSORIES



## GONDOLA COUNTER TOP

**Part Number**

LCTF	Length	Depth	Finish
------	--------	-------	--------

- Create checkouts or work stations
- Multi-Purpose mounting brackets sold separately
- Use Wood End Panels to enclose ends
- Available in various laminate finishes

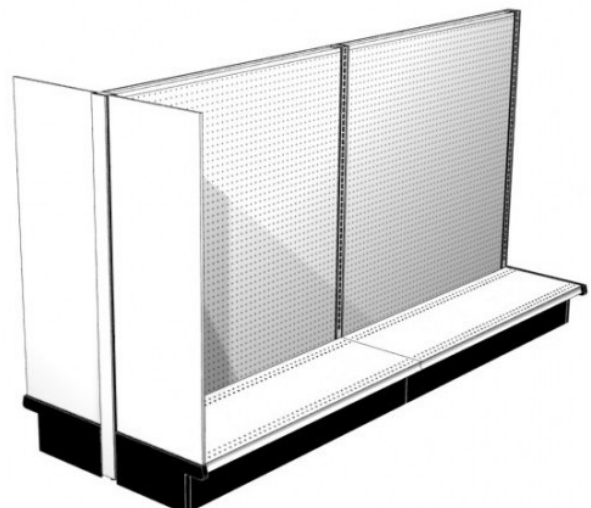
Base Deck Depth	Counter Top Depth
13" & 13"	30"
13" & 16"	33"
16" & 16"	36"
19" & 19"	42"

## WOOD END PANELS

**Part Number**

EP	Height	Base Depth	06 or LB
----	--------	------------	----------

- Used to close off Wall or Island sections
- End Panel hooks are reversible for LH & RH
- Heights 36", 42", 48", 54", 60", 66", 72", 78", 84", 96"
- Depths: 13", 16", 19", 22", 25", 28" & 31"
- Available in laminate and melamine finishes



# WIRE DISPLAY FIXTURES

## WIRE DUMP BIN

Part Number

<b>C-BDFD1818</b>	<b>18" x 18"</b>
<b>C-BDRD3636</b>	<b>36" x 36"</b>

- Ships knocked down
- Adjustable bottom grid
- Folds flat to 3" for storage
- Standard finish: Zinc plated

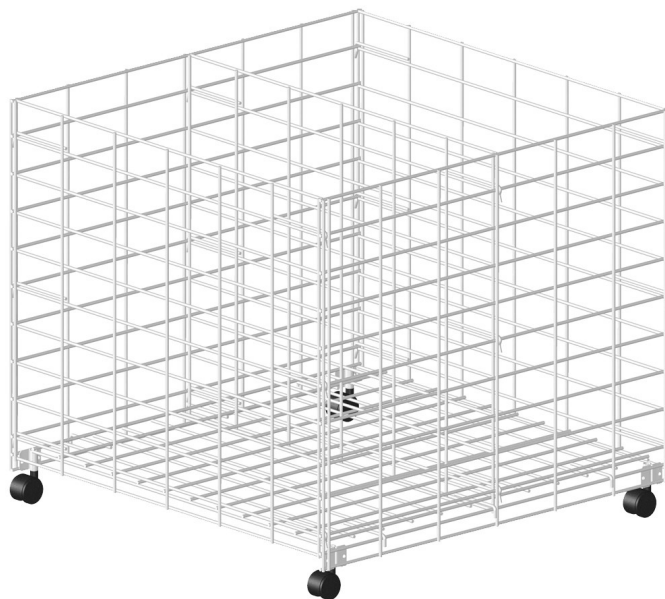


## MOBILE DUMP BINS

Part Number

<b>C-BDRD2424</b>	<b>24" x 24"</b>
<b>C-BDRD3636</b>	<b>36" x 36"</b>

- Ships knocked down
- Adjustable bottom grid
- Two locking casters standard
- Standard finish: Chrome plated



# FOUR-WAY DISPLAYS

## FOUR-WAY DISPLAY with CASTERS

Part Number	
<b>FWD4824C</b>	Panel Style

- Height 54"
- Panel width 24"
- (4) Locking Casters
- Ships knocked down, assembly required
- Available in Beige or Black
- Multiple Back Panel Options:  
Pegboard (P), Slatwall (S), or Wire Slatgrid (SG)
- TL210N Upper Shelves Sold Separately



## FOUR WAY SHELVES

Part Number		
<b>TL</b>	<b>Width</b>	<b>Depth</b>

- 4-way shelves
- Available in Beige or Black



## FOUR-WAY DISPLAY with PALLET JACK BASE

Part Number				
<b>FWDP</b>	<b>Height</b>	<b>Panel Width</b>	<b>Ext. Panel</b>	<b>Int. Panel</b>

- Height 54" or 60"
- Panel width 24", 30", 36"
- Panel style : Peg Exterior / Solid Interior (PM)

Panel Width	Base Size	Max. Shelf Depth
24"	38" x 38"	10"
30"	47" x 47"	13"
36"	56" x 56"	16"

