


INSTALLATION INSTRUCTIONS

WALL MOUNTED UPRITES (WMU__)

The purchaser of the fixture is responsible for determining the suitability of any specific wall or structure to which shelving is anchored, for the selection of and/or proper installation of the anchoring fasteners, hardware and materials, and for the workmanship of those performing anchoring. These guidelines are meant to illustrate typical types of anchoring and do not constitute any endorsement by Lozier of any specific anchoring application. Each application will vary due to the building, structure and materials used for anchoring, and professional advice should be sought for each anchored installation.

Anchoring situations other than those illustrated may be encountered. As a guideline, each anchoring location shown must provide a minimum of 450 pounds of pull-out resistance and be located as shown in these illustrations. Extreme care must be taken to insure that the building wall or other structure is solid and suitable for anchoring and will support the load being anchored to it.

DO NOT USE PLASTIC OR FIBER ANCHORS, CONCRETE NAILS, OR REGULAR NAILS.

 Warning: The lowest shelf must be at or below 27" (685mm) above the finished floor or a cane detectable barrier must be used below the shelves to keep individuals from contacting shelves that protrude into aisles.

INSTALLATION INSTRUCTIONS

WALL MOUNTED UPRITES (WMU__)

- STEP 1.** Measure and mark location where each Uprite will be placed. Uprites must be placed on 3' or 4' centers, measuring from center to center of the punched slots. DO NOT measure from the outer edges of the uprite or between uprites.
- STEP 2.** Determine highest point on the floor and begin installation closest to this point.
NOTE: Wall Uprites are to be fastened to the wall using suitable fasteners as dictated by the wall constructions. Fasteners are to be installed in top (closed) and bottom slots (see Figure 1).
- STEP 3.** Place Uprite against the wall (see #1 above and FIGURE 1). Mark wall at top of Uprite and for pilot holes for fasteners.

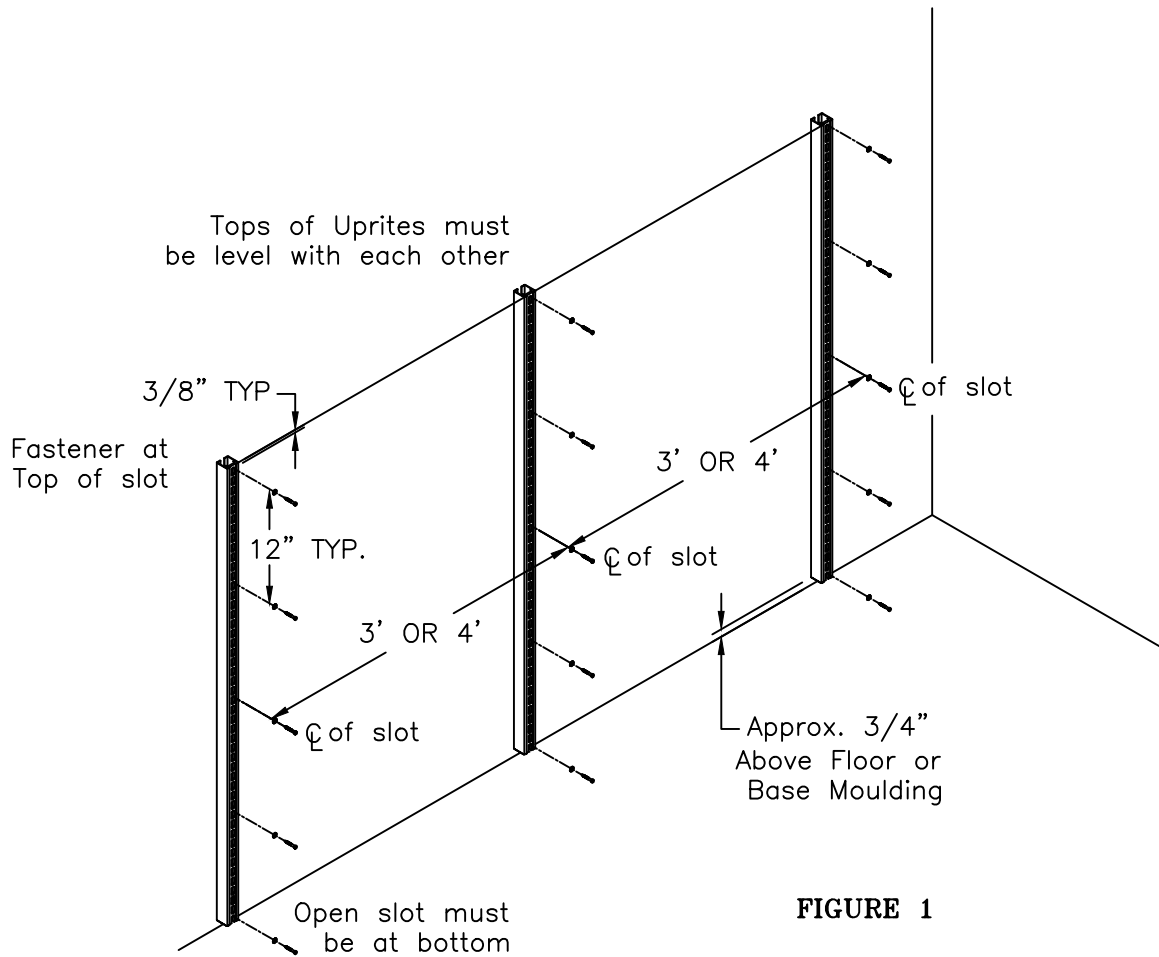


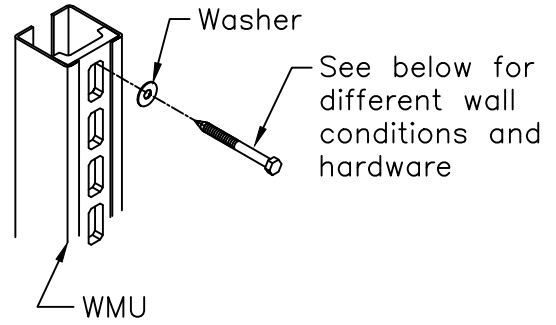
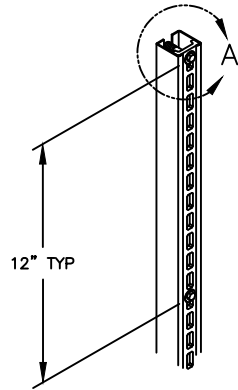
FIGURE 1

- STEP 4.** Drill pilot hole for each fastener (see note #2 above), plumb and level uprite. Use shims between Uprite and wall if necessary. With adjustments made, fasten uprite to wall securely.
- STEP 5.** Continue installing wall uprites on 3' or 4' centers from this point. Leveling, plumbing and aligning as described in Display Shelving instructions.

Note: See pages 3 and 4 for alternate methods of anchoring to wall.

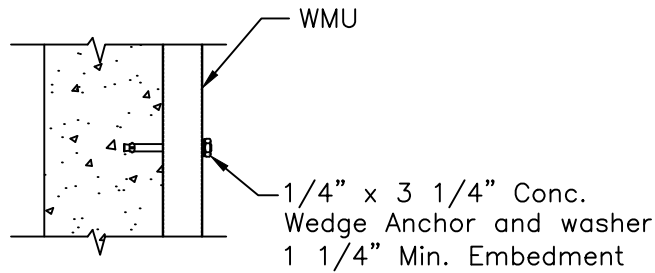
INSTALLATION INSTRUCTIONS

WALL MOUNTED UPRITES (WMU__)

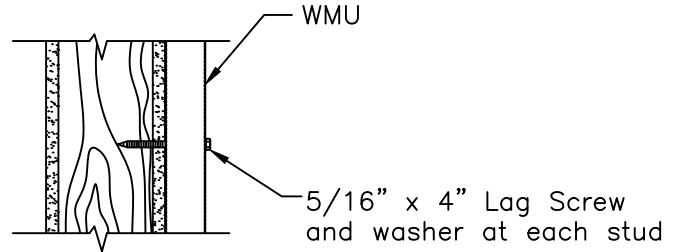


DETAIL A

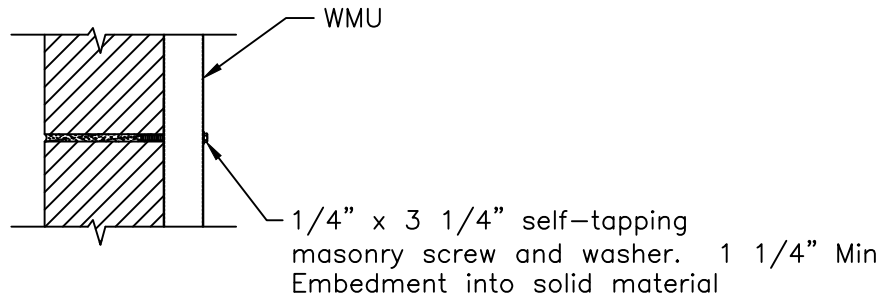
ATTACHING WMU DIRECTLY TO WALL



CONCRETE



WOOD STUD WALL

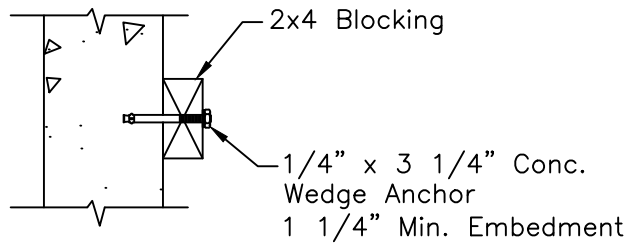
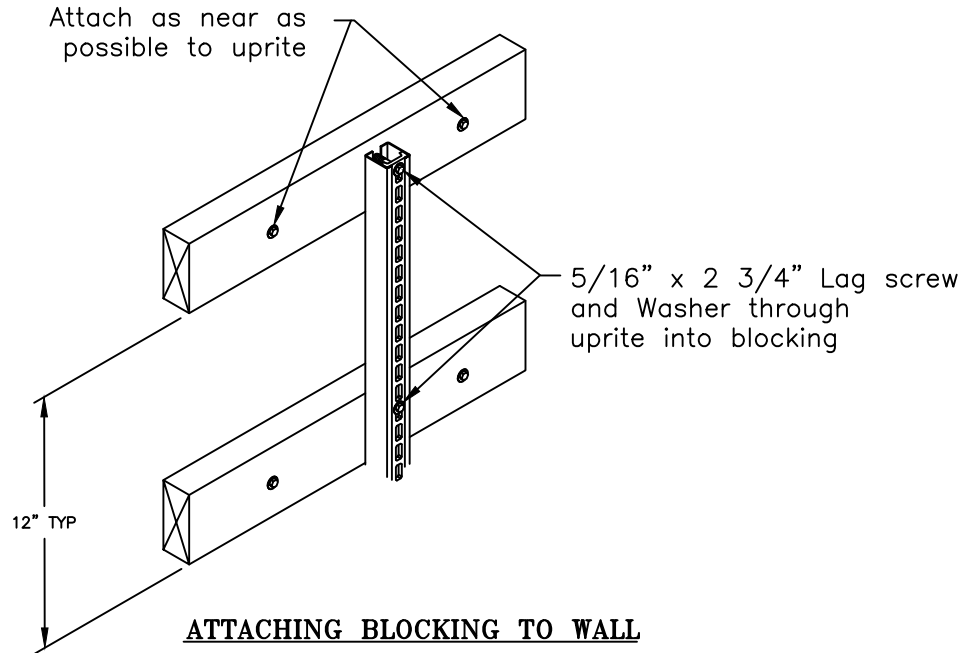


MASONRY

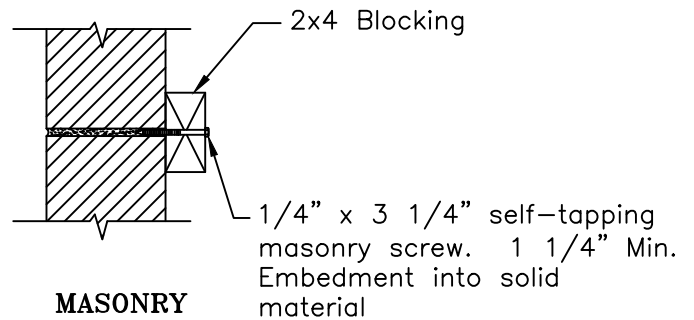
INSTALLATION INSTRUCTIONS

WALL MOUNTED UPRITES (WMU__)

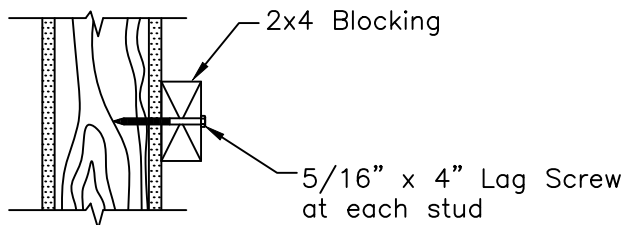
2 x 4 CONTINUOUS BLOCKING BEHIND UPRITE



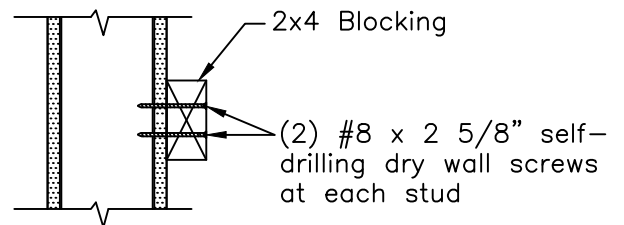
CONCRETE



MASONRY



WOOD STUD WALL



METAL STUD WALL (14 GA. Min.)